



Kerosene
Portable Heaters
OPERATOR'S MANUAL
MH-0400-0M11




CAUTION

**RISK OF INJURY! READ ENTIRE MANUAL BEFORE OPERATING!
THIS MANUAL IS AN IMPORTANT PART OF THE PORTABLE HEATER
AND MUST REMAIN WITH THIS UNIT!**

TABLE OF CONTENTS

INTRODUCTION.....	3
IMPORTANT SAFETY INSTRUCTIONS.....	4
GENERAL SAFETY INSTRUCTIONS.....	9
AIR QUALITY HAZARD	9
PORTABLE HEATER SPECIFICATIONS.....	10
ASSEMBLY.....	10
HARDWARE COMPONENTS	10
UNPACKING.....	11
ASSEMBLING FRAME AND WHEELS	11
OPERATION.....	12
FUELING THE HEATER	12
CONNECTING TO THE POWER SOURCE	12
ADJUSTING THE THERMOSTAT	12
SHUTTING DOWN THE HEATER	13
RESTARTING THE HEATER	13
RESTARTING THE HEATER AFTER SAFETY SHUTDOWN	13
MAINTENANCE	14
BEFORE OPERATING THIS HEATER.....	14
STATEMENT OF WARRANTY	16

WARNING

 **WARNING:** This product can expose you to chemicals including Lead, which is known to the State of California to cause cancer and birth defects or other reproductive harm. For more information go to www.P65Warnings.ca.gov

INTRODUCTION

Congratulations on the purchase of your new Mi-T-M® Portable Heater! You can be assured your Mi-T-M® Portable Heater was constructed with the highest level of precision and accuracy. Each component has been rigorously tested by technicians to ensure the quality, endurance and performance of this heater.

This operator's manual was compiled for your benefit. By reading and following the simple safety, installation and operation, maintenance and troubleshooting steps described in this manual, you will receive years of troublefree operation from your new Portable Heater. The contents of this manual are based on the latest product information available at the time of publication. The Manufacturer reserves the right to make changes in price, color, materials equipment, specifications or models at any time without notice.



IMPORTANT!

A "DANGER, WARNING or CAUTION" safety warning will be surrounded by a "SAFETY ALERT BOX". This box is used to designate and emphasize Safety Warnings that must be followed when operating this heater. Accompanying the safety warnings are "Signal Words" which designate the degree or level of hazard seriousness. The "Signal Words" used in this manual are as follows:

DANGER: INDICATES AN IMMINENTLY HAZARDOUS SITUATION WHICH, IF NOT AVOIDED, WILL RESULT IN DEATH OR SERIOUS INJURY.

WARNING: INDICATES A POTENTIALLY HAZARDOUS SITUATION WHICH, IF NOT AVOIDED, COULD RESULT IN DEATH OR SERIOUS INJURY.

CAUTION: INDICATES A POTENTIALLY HAZARDOUS SITUATION WHICH, IF NOT AVOIDED MAY RESULT IN MINOR OR MODERATE INJURY OR DAMAGE TO THE HEATER.

The symbols set below are "Safety Alert Symbols". These symbols are used to call attention to items or procedures that could be dangerous to you or other persons using this equipment.



ALWAYS PROVIDE A COPY OF THIS MANUAL TO ANYONE USING THIS EQUIPMENT. READ ALL INSTRUCTIONS IN THIS MANUAL AND ANY INSTRUCTIONS SUPPLIED BY MANUFACTURERS OF SUPPORTING EQUIPMENT BEFORE OPERATING THE PORTABLE HEATER AND ESPECIALLY POINT OUT THE "SAFETY WARNINGS" TO PREVENT THE POSSIBILITY OF PERSONAL INJURY TO THE OPERATOR.

Once the unit has been uncrated, immediately write in the serial number of your unit in the space provided below.

SERIAL NUMBER _____

Inspect for signs of obvious or concealed freight damage. If damage does exist, file a claim with the transportation company immediately. Be sure that all damaged parts are replaced and that the mechanical and electrical problems are corrected prior to operation of the unit. If you require service, contact Mi-T-M® Customer Service.

Mi-T-M® Corporation, 50 Mi-T-M Drive, Peosta, IA 52068
563-556-7484 / 800-553-9053 / Fax 563-556-1235
Monday - Friday 8:00 a.m. - 5:00 p.m. CST

Please have the following information available for all service calls:



1. Model Number
2. Serial Number
3. Date and Place of Purchase

IMPORTANT SAFETY INSTRUCTIONS





READ ALL SAFETY WARNINGS BEFORE USING PORTABLE HEATER




Hazard	Potential Consequence	Prevention
<p>RISK OF ELECTRIC SHOCK OR ELECTROCUTION</p> 	<p>Serious injury or death could occur if the portable heater is not properly grounded. Your heater is powered by electricity and may cause electric shock or electrocution if not used properly.</p> <p>Electrical shock may occur if the heater is not operated properly.</p> <p>Serious injury or death may occur if electrical repairs are attempted by unqualified persons.</p>	<p>Installation of this unit, including all electrical connections, must comply with all local, state and national codes.</p> <p>This product must be grounded. Connect to a GFCI circuit breaker when available. If the unit should malfunction or breakdown, grounding provides a path of least resistance for electric current to reduce the risk of electric shock. Do not ground to a gas supply line.</p> <p>Improper connection of the equipment-grounding conductor can result in a risk of electrocution. Check with a qualified electrician or service personnel if you are in doubt as to whether the system is properly grounded.</p> <p>Always be certain the unit is receiving proper voltage. Specified on the model plate of the heater. Use only a three-prong, grounded outlet and extension cord.</p> <p>Keep all connections dry and install the heater so that it is not directly exposed to water spray, rain, dripping water or wind.</p> <p>Any electrical wiring or repairs performed on this heater should be done by Authorized Service Personnel in accordance with National and Local electrical codes.</p> <p>Always unplug the heater when not in use.</p>
<p>RISK OF BURNS</p> 	<p>Serious injury could occur from touching exposed metal parts. These areas can remain hot for some time after the heater is turned off.</p>	<p>Never allow any part of your body or other materials to make contact with any exposed metal parts on the heater.</p>


IMPORTANT SAFETY INSTRUCTIONS

Hazard	Potential Consequence	Prevention
<p>RISK OF EXPLOSION OR FIRE</p>  	<p>Serious injury or death may occur from normal electrical sparks in motor and pressure switch</p> <p>Serious injury may occur if the heater air inlet or outlet is blocked.</p> <p>Serious injury or death may occur if improper fuels are used, if heater is running while refilling.</p> <p>Serious injury may occur if heater is not placed on level surface and is kept away from children and animals.</p>	<p>Do not start heater when chamber is hot.</p> <p>Do not start heater when excess fuel has accumulated in the chamber.</p> <p>Not for use with an external fuel tank.</p> <p>Do not use gasoline or crank-case draining, naphtha or volatile fuels.</p> <p>Do not fill the tank while the unit is operating.</p> <p>For use on non-combustible flooring with minimum clearances to combustible materials.</p> <p>Hot while in operation. Do not touch.</p> <p>Keep children, clothing, pets and combustibles away from heater.</p> <p>Never point the heater toward a propane cylinder.</p> <p>Keep bulk fuel storage a minimum of 25 feet (8 meters) from heater.</p> <p>Store fuel according to federal, state, and/or local authorities.</p> <p>Always fill the heater outdoors and keep away from open flame.</p> <p>Equipment must be grounded.</p> <p>Never handle heater while hot.</p> <p>Never transport heater with fuel in the tank.</p> <p>When used with an optional thermostat or if equipped with a thermostat, the heater may start at any time.</p> <p>Always locate the heater on a stable and level surface.</p> <p>Allow the heater to cool before handling or transporting.</p> <p>Before moving the heater, wait until the heater has completely cooled and be certain the fuel cap is securely and tightly closed.</p>

IMPORTANT SAFETY INSTRUCTIONS

Hazard	Potential Consequence	Prevention
<p>RISK TO BREATHING</p> 	<p>Serious injury or death could occur from failure to provide proper ventilation according to this manual..</p>	<p>This is a kerosene, direct-fired, forced air heater. It is primarily intended for use for temporary heating of buildings under construction, alteration or repair. Direct-fired means that all of the combustion products of the heater enter the heated space. This appliance is rated at 98% combustion efficiency, but does produce small amounts of carbon monoxide. Carbon monoxide is toxic. Humans can tolerate small amounts of carbon monoxide, and precautions should be taken to provide proper ventilation..</p> <p>Early signs of carbon monoxide poisoning resemble the flu. Symptoms of improper ventilation are: * headache * dizziness * burning of the nose and eyes * nausea * dry mouth * sore throat</p> <p>Use this heater only in well ventilated areas! Provide at least a three square foot (2,800 sq cm) opening of outside air for every 45,000 BTU/hr of heater rating.</p> <p>People with breathing problems should consult a physician before using the heater.</p> <p>Carbon Monoxide Poisoning: Early signs of carbon monoxide poisoning resemble flu-like symptoms such as headaches, dizziness, and/or nausea. If you have these symptoms, your heater may not be working properly.</p> <p>Get fresh air at once! Have the heater serviced. Some people are more affected by carbon monoxide than others. These include pregnant women, those with heart or lung problems, anemia, or those under the influence of alcohol, or at high altitudes.</p> <p>Never use this heater in living or sleeping areas.</p>

IMPORTANT SAFETY INSTRUCTIONS

 **READ AND SAVE THESE INSTRUCTIONS CAREFULLY READ AND UNDERSTAND THESE INSTRUCTIONS BEFORE ASSEMBLING, OPERATING, OR SERVICING THIS HEATER. YOU MAY INJURE YOURSELF OR OTHERS IF YOU DO NOT FOLLOW THE INSTRUCTIONS. THIS MANUAL HAS BEEN DESIGNED TO INSTRUCT YOU ON THE PROPER MANNER IN WHICH TO ASSEMBLE, MAINTAIN, STORE, AND MOST IMPORTANTLY, HOW TO OPERATE THE HEATER IN A SAFE AND EFFICIENT MANNER. DO NOT ALLOW ANYONE WHO HAS NOT READ THESE INSTRUCTIONS TO ASSEMBLE, LIGHT, ADJUST OR OPERATE THE HEATER.**

 **CANADIAN RESIDENTS: THIS HEATER SHALL BE OPERATED IN ACCORDANCE WITH THE REGULATION OF AUTHORITIES HAVING JURISDICTION AND CSA STANDARD B139.**


 **U. S. RESIDENTS: THE INSTALLATION OF THIS HEATER SHALL BE IN ACCORDANCE WITH THE REGULATION OF AUTHORITIES HAVING JURISDICTION AND NFPA 31**


 **THIS IS AN UNVENTED OIL DIRECT-FIRED HEATER INTENDED FOR SPACE HEATING OF BUILDINGS UNDER CONSTRUCTION AND FOR TEMPORARY SPACE HEATING OF COMPLETED BUILDINGS WHEN THE PRODUCTS OF COMBUSTION ARE DISCHARGED OUTDOORS.**

 **DANGER: THIS HEATER IS DESIGNED AND INTENDED FOR SPACE-HEATING OF BUILDINGS UNDER CONSTRUCTION AND FOR SPOT HEATING WHEN THE PRODUCTS OF COMBUSTION ARE DISCHARGED OUTDOORS.**

NOT FOR USE IN LIVING AREAS.


SUITABLE FOR OUTDOOR USE.

 **FAILURE TO COMPLY WITH THE PRECAUTIONS AND INSTRUCTIONS PROVIDED WITH THIS HEATER CAN RESULT IN DEATH, SERIOUS BODILY INJURY AND PROPERTY LOSS OR DAMAGE FROM HAZARDS OF FIRE, EXPLOSION, BURN, ASPHYXIATION, CARBON MONOXIDE POISONING, AND / OR ELECTRICAL SHOCK. ONLY PERSONS WHO CAN UNDERSTAND AND FOLLOW THESE INSTRUCTIONS SHOULD USE OR SERVICE THIS HEATER. IF YOU NEED ASSISTANCE OR HEATER INFORMATION SUCH AS AN INSTRUCTIONS MANUAL, LABEL, ETC. CONTACT THE MANUFACTURER.**

 **WARNING: FIRE, BURN, INHALATION, AND EXPLOSION HAZARD. KEEP SOLID COMBUSTIBLES, SUCH AS BUILDING MATERIALS, PAPER, OR CARDBOARD, A SAFE DISTANCE AWAY FROM THE HEATER AS RECOMMENDED BY THE INSTRUCTIONS. NEVER USE THE HEATER IN SPACES WHICH DO OR MAY CONTAIN VOLATILE OR AIRBORNE COMBUSTIBLES, OR PRODUCTS SUCH AS GASOLINE, SOLVENTS, PAINT THINNER, DUST PARTICLES OR UNKNOWN CHEMICALS.**

 **WARNING: NOT FOR HOME OR RECREATIONAL VEHICLE USE.**

 **NEVER LEAVE HEATER UNATTENDED WHILE BURNING OR WHILE CONNECTED TO A FUEL SOURCE.**

 **RESIDENTS OF NEW YORK CITY, NY: NEW YORK FIRE CODE PROHIBITS THE STORAGE, HANDLING AND USE OF KEROSENE FUELED HEATERS FOR SPACE HEATING. ANY PERSON VIOLATING THAT PROVISION MAY BE PUNISHED BY A FINE OF UP TO \$10,000 AND A TERM OF IMPRISONMENT OF UP TO 6 MONTHS.**

 **RESIDENTS OF MASSACHUSETTS: MASSACHUSETTS STATE LAW PROHIBITS THE USE OF THIS HEATER IN ANY BUILDING WHICH IS USED WHOLE OR IN PART FOR HUMAN HABITATION. USE OF THIS DEVICE REQUIRES LOCAL FIRE DEPARTMENT PERMIT (M.G.L.C. 148, SECTION 10A).**

 **! SAVE THESE INSTRUCTIONS !** 



**THE FOLLOWING PAGES CONTAIN OPERATING AND
MAINTENANCE INSTRUCTIONS.**

**DO NOT ATTEMPT TO OPERATE THIS PORTABLE HEATER
UNTIL YOU HAVE READ AND UNDERSTOOD ALL SAFETY
PRECAUTIONS AND INSTRUCTIONS LISTED IN THIS MANUAL.**

**INCORRECT OPERATION OF THIS UNIT CAN CAUSE SERIOUS
INJURY!!**

**DO NOT ALTER OR MODIFY THIS EQUIPMENT
IN ANY MANNER!**

**NEVER LEAVE HEATER UNATTENDED WHILE BURNING OR
WHILE CONNECTED TO A FUEL SOURCE.**

GENERAL SAFETY INSTRUCTIONS

AIR QUALITY HAZARD

- Do not use this heater for heating human living quarters.
- Use of direct-fired heaters in the construction environment can result in exposure to levels of CO, CO₂, And NO₂ considered to be hazardous to health and potentially life threatening.
- Do not use in unventilated areas
- Know the signs of CO and CO₂ poisoning: • Headaches, stinging eyes • Dizziness, disorientation • Difficulty breathing, feelings of being suffocated.
- Proper ventilation air exchange (OSHA 29 CFR 1926.57) to support combustion and maintain acceptable air quality shall be provided in accordance with OSHA 29 CFR Part 1926.154, ANSI A10.10 Safety Requirements for Temporary and Portable Space Heating Devices and Equipment used in the Construction Industry or the Natural Gas and Propane Installation Codes CSA B149.1
- Periodically monitor levels of CO, CO₂, and NO₂ existing at the construction site - at the minimum at the start of the shift and after 4 hours.
- Provide ventilation air exchange, either natural or mechanical, as required to maintain acceptable indoor air quality.
- Ensure that the flow of combustion and ventilation air exchange cannot become obstructed.
- As the building “tightens up” during the construction phases ventilation may need to be increased.

USA 8-Hr Time weighted average (OSHA 29 CFR 1926.55 App A):

CO	50 ppm
CO ₂	5000 ppm
NO ₂	N/A

USA-Ceiling Limit (Short Term Exposure Limit = 15 minutes)

CO	N/A
CO ₂	N/A
NO ₂	5 ppm

Canada 8-Hr Time weighted average WorkSafe BC OHS Guidelines Part 5.1 and Ontario Workplaces Reg 833

CO	
CO ₂	
NO ₂	5 ppm

Canada STEL (15 minutes Reg 833/1 hour WSBC) WorkSafe BC OHS Guidelines Part 5.1 and Ontario Workplace Reg 833

CO	100 ppm
CO ₂	1500 ppm (WSBC) 30000 ppm (Reg 833)
NO ₂	1.0 ppm (WSBC) 5.0 ppm (Reg 833)

 **NEVER LEAVE HEATER UNATTENDED WHILE BURNING OR WHILE CONNECTED TO A FUEL SOURCE.**

 **WARNING: DO NOT TAMPER WITH THE HEATER. HAVE A COMPETENT SERVICEMAN MAKE ANY NECESSARY ADJUSTMENTS OR REPAIRS.**

 **WARNING: NEVER BLOCK THE AIR INLET (REAR) OR AIR OUTLET (FRONT) NEVER ATTACH DUCT WORK IN FRONT OR IN REAR OF THE HEATER.**

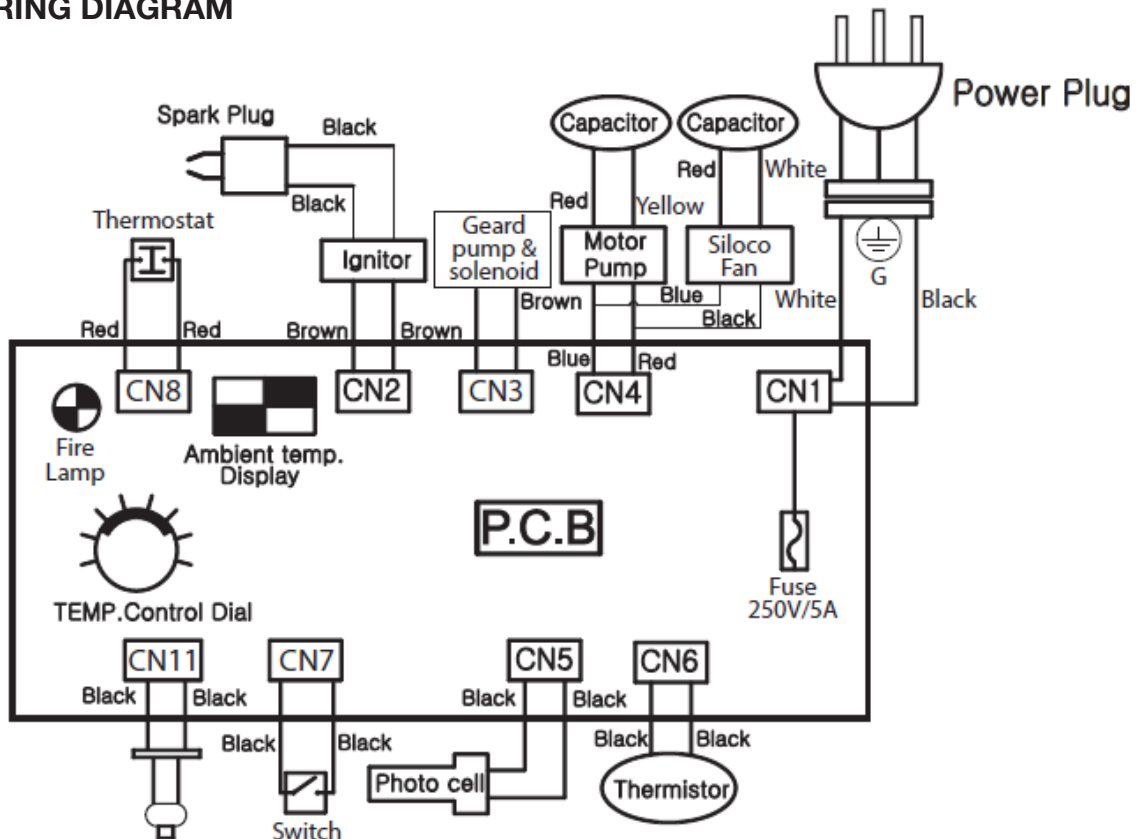
PORTABLE HEATER SPECIFICATIONS

Model	MH-0400-0M11
Rating BTU/Hr	400,000
Fuel Consumption Gal/Hr	3
Fuel Tank Capacity Gallons	21
Pump Pressure PSI	157
Volt/Hz	120VAC/ 60 Hz
Amps	3.3
Phase	Single
Size (L x W x H)	XXXXXX
Net Weight (Lbs)	XXXX

Minimum clearance from Combustibles:	
	MH-0400-0M11
Top	3 ft.
Sides	3 ft.
Front	10 ft.

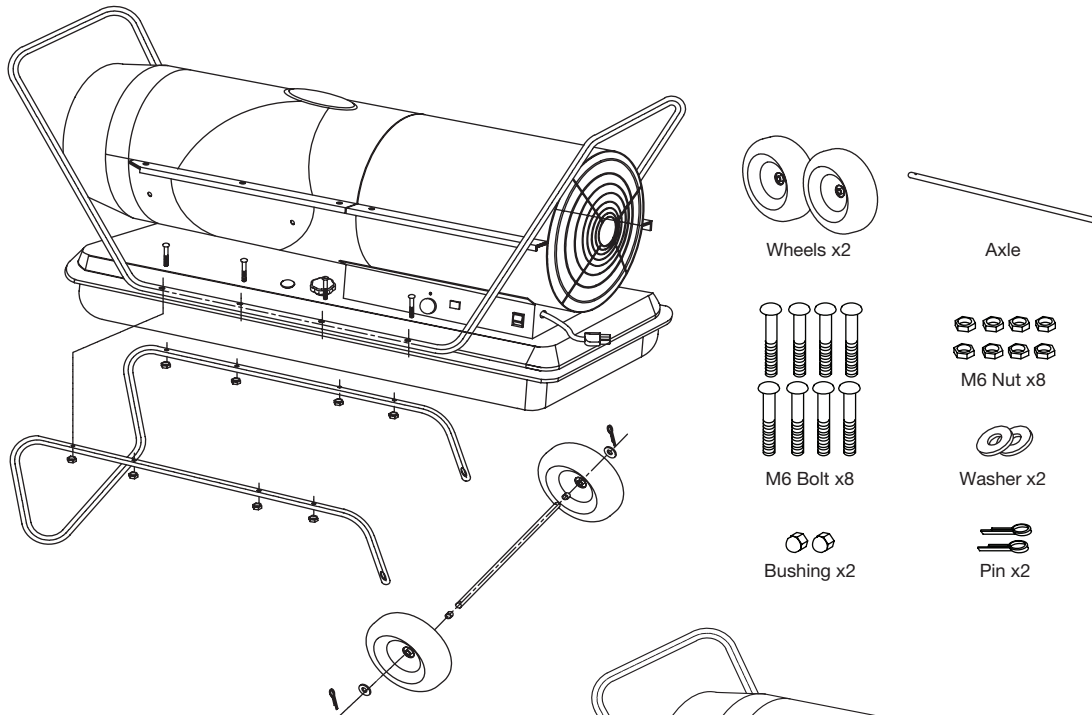
⚠ WARNING: FOR USE ON NON-COMBUSTIBLE FLOORING WITH MINIMUM CLEARANCES TO COMBUSTIBLE MATERIALS.

WIRING DIAGRAM



ASSEMBLY

HARDWARE COMPONENTS



Note: Tools required: medium phillips screw driver, 5/16" open end or adjustable wrench.

UNPACKING

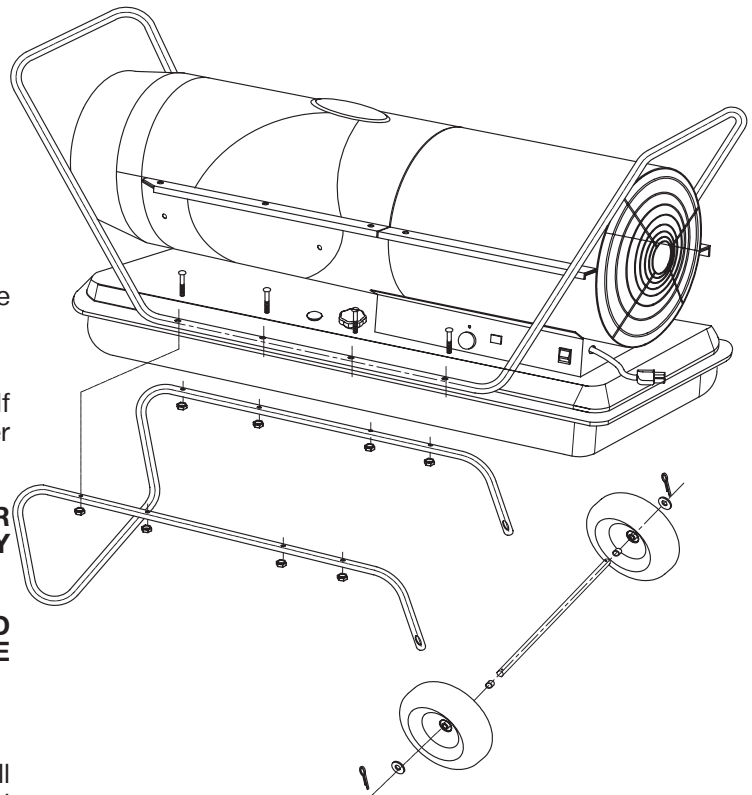
1. Remove the heater from the carton.
2. Remove all packing materials applied to the heater for shipment.
3. Remove all items from the carton.
4. Check the heater for shipping damage. If heater is damaged, Contact your customer service.

⚠ CAUTION: DO NOT OPERATE HEATER WITHOUT SUPPORT FRAME FULLY ASSEMBLED TO TANK.

⚠ NEVER LEAVE HEATER UNATTENDED WHILE BURNING OR WHILE CONNECTED TO A FUEL SOURCE.

ASSEMBLING FRAME AND WHEELS

1. Slide axle through wheel support frame. Install wheel bushings, flat washers (S) and wheel on axle. NOTE: When installing wheels, tube valve should face out from support frame.
2. Place flat washers (L) and cotter pins on axle ends and bend cotter pins with long nose pliers to secure.
3. Place wheel cap on flat washers (L) and put wheel cap in flat washers (L) end.
4. Place heater on wheel support frame. Make sure air inlet end (rear) of heater is over wheels. Align the holes on fuel tank flange. Insert screws through handles (front and rear), fuel tank flange, and wheel support frame as shown in below and attach nut finger tight after each screw is inserted.
5. After all screws are inserted, tighten nuts firmly.



OPERATION

FUELING THE HEATER

Make certain the heater is level. Remove the fuel cap and fill the fuel tank with clean kerosene for optimal performance of this heater. This heater has been tested and certified for use with JP8/Jet A, #1 and #2 Fuel Oil, #1 and #2 Diesel. Diesel does not burn as clean as 1-K kerosene, and care should be taken to provide more fresh air ventilation to accommodate any added contaminants that may be produced during operation of the heater. In extreme cold temperatures, it is recommended a fuel stabilizer formulated to remove condensation and to prevent the fuel from gelling be added to the fuel tank. Do not overfill the fuel tank. Replace the fuel cap after filling the fuel tank.

WARNING: DO NOT START HEATER WHEN THE HEATER IS HOT.

- DO NOT START HEATER WHEN EXCESS FUEL HAS ACCUMULATED IN THE CHAMBER.
- NOT FOR USE WITH AN EXTERNAL FUEL TANK.
- NEVER FILL THE FUEL TANK IN LIVING SPACE
- DO NOT USE GASOLINE OR CRANKCASE DRAINING, NAPHTHA OR VOLATILE FUELS.
- ALWAYS FILL THE FUEL TANK OUTDOORS AWAY FROM LIVING AREAS.

NOTE: Kerosene should only be stored in a blue container that is clearly marked “kerosene”. Never store kerosene in a red container. Red is associated with gasoline.

- NEVER store kerosene in the living space. Kerosene should be stored in a well ventilated area outside the living area.
- NEVER store kerosene in direct sunlight or near a source of heat.
- NEVER use kerosene that has been stored from one season to the next. Kerosene deteriorates over time. OLD KEROSENE WILL NOT BURN PROPERLY IN THIS HEATER.
- Use 1-K kerosene in this heater. #1 fuel is a suitable substitute.

⚠ NEVER LEAVE HEATER UNATTENDED WHILE BURNING OR WHILE CONNECTED TO A FUEL SOURCE.

Note: The first time you light the heater, it should be done OUTDOORS. This allows the oils, and other lubricants used in the manufacturing process to be burned off outside.

CONNECTING TO THE POWER SOURCE

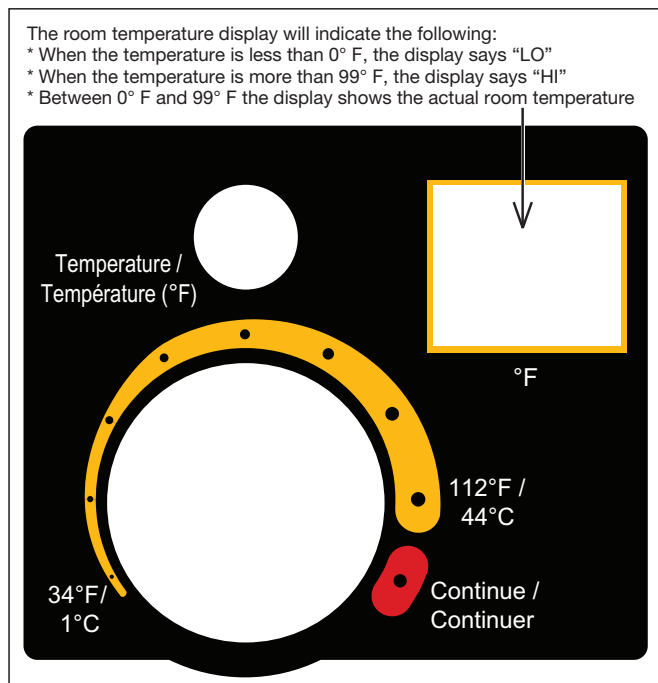
After filling the fuel tank with approved fuel, connect the plug to a 3-prong, grounded extension cord adequately rated for this application.

Extension Cord Wire Size Requirements:

- 6 to 10 feet (1.8 to 3 meters) long, use 18 AWG conductor.
- 11 to 100 feet (3.4 to 30.53 meters) long, use 16 AWG conductor.
- 101 to 200 feet (30.8 to 61 meters) long, use 14 AWG conductor.

ADJUSTING THE THERMOSTAT

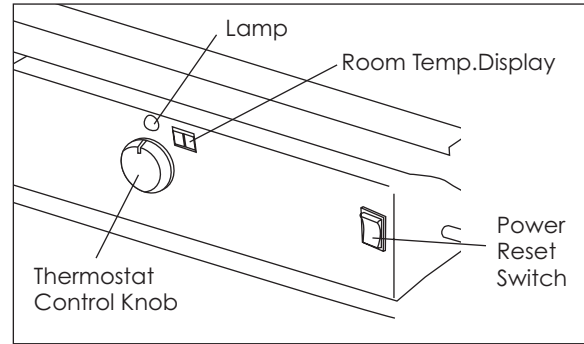
1. Turn the Thermostat Control Knob clockwise to the desired heat setting. Push the Power Switch to the “ON” position. The Power Indicator Lamp will light and the heater will start.
2. If the heater does not start, the thermostat setting may be lower than the ambient temperature.
3. Turn the Thermostat Control Knob to a higher temperature setting.
4. If the heater still does not start, turn the Power



OPERATION

Switch "OFF". Wait 10 seconds. Turn the Power Switch "ON".

NOTE: The major electrical components of this heater are protected by a safety fuse mounted to the PCB board located behind the Right Side Panel. If your heater fails to start, check this fuse first and replace it as necessary. You should also check your power source to ensure that proper voltage and frequency are being supplied to the heater.



SHUTTING DOWN THE HEATER

1. Push the Power Button to the "OFF" position.
2. Wait for heater to cool, then unplug the heater from its power source.

RESTARTING THE HEATER

1. Wait 10 seconds after powering down the heater.
2. Push the Power Switch to the "ON" position.
3. If the heater does not start, the thermostat setting may be lower than the ambient temperature. Turn the Thermostat Control Knob to a higher temperature setting. If the heater still does not start, turn the Power Switch "OFF". Wait 10 seconds. Turn the Power Switch "ON"

RESTARTING THE HEATER AFTER SAFETY SHUTDOWN

1. Push the Power Button to the "OFF" position.
2. Unplug the heater from its power source.
3. Wait 10 seconds for the system to reset.
4. Plug the heater into its power source.
5. Push the Power Button to the "ON" position.



NEVER LEAVE HEATER UNATTENDED WHILE BURNING OR WHILE CONNECTED TO A FUEL SOURCE.



MAINTENANCE

 **WARNING: DO NOT TAMPER WITH THE HEATER. HAVE A COMPETENT SERVICEMAN MAKE ANY NECESSARY ADJUSTMENTS OR REPAIRS.**

 **WARNING: DISCONNECT THE HEATER FROM ITS POWER SOURCE BEFORE SERVICING.**

 **WARNING: HOT WHILE IN OPERATION. DO NOT TOUCH. ALLOW HEATER TO COOL BEFORE SERVICING.**

 **NEVER LEAVE HEATER UNATTENDED WHILE BURNING OR WHILE CONNECTED TO A FUEL SOURCE.**

BEFORE OPERATING THIS HEATER

Visually inspect for damage. Some parts may have become loose or were damaged from handling. Be certain the fuel cap is securely fastened and check that the drain plug (if applicable for your model) is installed properly. Replace or repair any damaged parts before operating this heater. **USE ORIGINAL EQUIPMENT REPLACEMENT PARTS.** Use of third party or other alternate components will void the warranty and may cause unsafe operating conditions. If you need replacement parts or require assistance, contact customer service.

SUGGESTED MAINTENANCE AS FOLLOWS:

FUEL/FUEL TANK

Flush every 200 hours of operation or as needed. Do not use water to flush the tank. Use fresh gasoline or kerosene and dry.

FILTERS

The fuel filter and oil filter should be cleaned at least twice per heating season by rinsing it in clean gasoline or kerosene. Contaminated fuel could make this necessary immediately.

FAN BLADES

 **WARNING! NEVER SERVICE HEATER WHILE HOT OR STILL CONNECTED TO ELECTRICAL SOURCE.**

The fan blades should be cleaned at least once per heating season, depending on conditions. Remove all accumulated dust and dirt with a damp cloth, taking care not to bend any of the fan blades. Be sure fan blades are dry before re-starting the heater.

GEARED PUMP

Clean the filter in the pump every 200 hours or at any necessary time. You may adjust the pressure of the pump with a wrench, however the pressure is set at the factory and do not adjust it as you like. If you want to adjust the pressure, please install the oil pressure gauge and set to keep the pressure between 7-12 kgf/cm.

NOZZLES

Nozzles should be cleaned or replaced at least once per heating season. Contaminated fuel could make this necessary immediately. To clean dirt from nozzle, blow compressed air through the nozzle front. It may be necessary to soak the nozzle in clean 1-K kerosene to help loosen any particles.

SPARK PLUG

Clean and re-gap every 600 hours of operation, or replace as needed. After removing the spark plug, clean the terminals with a wire brush. Re-gap the terminals to 0.140" (3.5mm).

PHOTOCELL

The photocell should be cleaned at least once per heating season or more depending on conditions. Use a cotton swap dipped in water or alcohol to clean the lens of the photocell. Note the proper photocell position as noted in this manual.

MAINTENANCE

LONG TERM STORAGE

1. Unscrew the fuel cap.
2. Using a kerosene siphon, remove kerosene.
3. Using a small amount of kerosene, rinse and swirl the kerosene inside of the fuel tank. Empty the tank fully. NEVER MIX WATER WITH KEROSENE, as it will cause rust inside the tank.
4. Empty tank fully.

Never store leftover kerosene over the summer. Using old fuel can damage your heater.

Store heater in a dry, well-ventilated area.

Be sure the storage area is free of dust and corrosive vapors. Repack the heater in the original shipping material. Keep the owner's manual in an easily accessible place.



WARNING! NEVER SERVICE HEATER WHILE HOT OR STILL CONNECTED TO ELECTRICAL SOURCE.



NEVER LEAVE HEATER UNATTENDED WHILE BURNING OR WHILE CONNECTED TO A FUEL SOURCE.



STATEMENT OF WARRANTY

Mi-T-M warrants this heater to the original retail purchaser only, to be free from defects in material and workmanship for a period of

one (1) year from the date of initial purchase.

This product must be properly installed, maintained and operated in accordance with the instructions provided. Mi-T-M requires reasonable proof of your date of purchase from an authorized retailer or distributor. Therefore, you should keep your sales slip, invoice, or cancelled check from the original purchase.

EXCLUSIONS

1. This Limited Warranty shall be limited to the repair or replacement of parts, which prove defective Mi-T-M shall determine at its reasonable discretion. This warranty does not include wear items: filters, vanes, nozzles, and rotors.
2. This Limited Warranty does not cover any failures or operating difficulties due to normal wear and tear, accident, abuse, misuse, alteration, misapplication, improper installation or improper maintenance and service by you or any third party. Failure to perform normal and routine maintenance on the heater, shipping damage, damage related to insects, birds, or animals of any kind, and damage due to weather conditions are also not covered.
3. In addition, the Limited Warranty does not cover damage to the finish, such as scratches, dents, discoloration, rust or other weather damage, after purchase.

All transportation costs for the return of the damaged product or parts will be the responsibility of the purchaser. Upon receipt of damaged item, Mi-T-M will examine the item and determine if defective. Mi-T-M will repair or replace and return the item, freight pre-paid. If Mi-T-M finds the item to be in normal operating condition, or not defective, the item will be returned freight collect.

This Limited Warranty is in lieu of all other express warranties. Mi-T-M disclaims all warranties for products that are purchased from sellers other than authorized retailers or distributors.

AFTER THE PERIOD OF THE ONE (1) YEAR EXPRESS WARRANTY EXPIRES, Mi-T-M DISCLAIMS ANY AND ALL IMPLIED WARRANTIES, INCLUDING WITHOUT LIMITATION THE IMPLIED WARRANTIES OF MERCHANTABILITY AND FITNESS FOR A PARTICULAR APPLICATION. FURTHER, Mi-T-M SHALL HAVE NO LIABILITY WHATSOEVER TO PURCHASER OR ANY THIRD PARTY FOR ANY SPECIAL, INDIRECT, PUNITIVE, INCIDENTAL, OR CONSEQUENTIAL DAMAGES.


Mi-T-M assumes no responsibility for any defects caused by third parties. This Limited Warranty gives the purchaser specific legal rights; a purchaser may have other rights depending upon where he or she lives. Some states do not allow the exclusion or limitation of special, incidental or consequential damages, or limitations on how long a warranty lasts, so the above exclusion and limitations may not apply to you. Mi-T-M does not authorize any person or company to assume for it any other obligation or liability in connection with the sale, installation, use, removal, return, or replacement of its equipment, and no such representations are binding on Mi-T-M. Always be sure to specify model number and serial number when making any claim with Mi-T-M.

**For Service or Warranty Consideration, contact
Mi-T-M® Corporation, 50 Mi-T-M Drive, Peosta, IA 52068
563-556-7484 / 800-553-9053 / Fax 563-556-1235
Monday - Friday 8:00 a.m. - 5:00 p.m. CST**

TABLE OF CONTENTS

IMPORTANTES CONSIGNES DE SECURITE	19
CONSIGNES DE SÉCURITÉ	24
RISQUE DE MAUVAISE QUALITÉ DE L'AIR	24
SPÉCIFICATIONS	25
ASSEMBLAGE	25
ÉLÉMENTS DE QUINCAILLERIE	25
DÉBALLAGE	26
ASSEMBLAGE DU CHÂSSIS ET DES ROUES	26
BRANCHER À LA SOURCE D'ALIMENTATION	27
RÉGLER LE THERMOSTAT	27
FONCTIONNEMENT	27
ÉTEINDRE LE RADIATEUR	28
REDÉMARRER LE RADIATEUR	28
REDÉMARRER LE RADIATEUR APRÈS UN ARRÊT DE SÉCURITÉ	28
ENTRETIEN	29
AVANT D'UTILISER CE RADIATEUR	29
GARANTIE LIMITÉE	31

AVERTISSEMENT

 **AVERTISSEMENT:** Ce produit peut vous exposer à des produits chimiques, tel que le plomb, qui est reconnu par l'état de la Californie comme étant une cause de cancer, d'anomalies congénitales et d'autres problèmes liés à la reproduction. Pour plus de renseignements, aller à www.P65Warnings.ca.gov

INTRODUCTION

Félicitations de l'achat de votre nouveau le radiateur! Vous pouvez être assuré que votre nouveau le radiateur a été construit avec le plus haut niveau de précision et de fiabilité. Chaque composant a été rigoureusement testé par des techniciens pour assurer la qualité, la durabilité et la performance de le radiateur.

Ce manuel opérateur a été dressé pour que vous en retirez le meilleur parti. Par la lecture et l'application des mesures simples de sécurité, d'installation et d'opération, d'entretien et de dépannage décrites dans ce manuel, votre nouveau le radiateur fonctionnera sans faille pendant de nombreuses années. Le contenu de ce manuel est basé sur la dernière information disponible du produit au moment de la publication. Mi-T-M® se réserve le droit d'effectuer des changements de prix, de couleur, de matériaux, d'équipement, de caractéristiques ou de modèles à tout moment sans communication préalable.



IMPORTANT!

Les avertissements de sécurité "DANGER, AVERTISSEMENT ou ATTENTION" seront entourés par un "ENCADRE ALERTE SECURITE". Cet encadré est utilisé pour indiquer et souligner les avertissements de sécurité qui doivent être suivis en actionnant ce compresseur d'air. En plus des avertissements de sécurité, des "mots d'alerte" sont utilisés pour indiquer le degré ou niveau de risque. Les "mots d'alerte" utilisés dans ce manuel sont comme suit:

DANGER: INDIQUE UNE SITUATION AU DANGER IMMINENT QUI, SI ELLE N'EST PAS ÉVITÉE, ENTRAÎNERA LA MORT OU DES BLESSURES GRAVES.

AVERTISSEMENT: INDIQUE UNE SITUATION POTENTIELLEMENT DANGEREUSE QUI, SI ELLE N'EST PAS ÉVITÉE, POURRAIT ENTRAÎNER LA MORT OU DES BLESSURES GRAVES.

ATTENTION: INDIQUE UNE SITUATION POTENTIELLEMENT DANGEREUSE, QUI, SI ELLE N'EST PAS ÉVITÉE, PEUT ENTRAÎNER DES BLESSURES MINEURES OU PEU GRAVES ET DES DÉGATS AU COMPRESSEUR.



Les symboles placés à gauche de ce paragraphe sont des "symboles d'alerte de sécurité". Ces symboles sont utilisés pour souligner les points ou les procédures qui pourraient être dangereuses pour vous ou tout autre personne utilisant cet équipement.

Fournissez toujours une copie de ce manuel à toute personne utilisant cet équipement. Lisez toutes les instructions dans ce manuel et toutes instructions fournies par les fabricants d'équipement de support avant d'utiliser ce compresseur d'air et attirer spécialement l'attention aux "Avertissements de Sécurité" pour éviter la possibilité de blessures pour l'utilisateur.

Une fois l'appareil déballé, écrivez immédiatement le numéro de série de votre appareil dans l'espace ci-dessous.

NUMERO DE SERIE _____



Assurez-vous qu'il n'y a pas de signes de dommages évidents ou cachés suite au transport. En cas de dommage, remplissez immédiatement une réclamation avec la compagnie de transport. Assurez-vous que toutes les pièces endommagées sont remplacées et les problèmes mécaniques et électriques corrigés avant l'utilisation de l'appareil. Si vous avez besoin d'assistance, entrez en contact avec votre service clientèle.

Mi-T-M® Corporation, 50 Mi-T-M Drive, Peosta, IA 52068
563-556-7484 / 800-553-9053 / Fax 563-556-1235
du lundi au vendredi de 8h00 à 17h, CST (heure centrale)

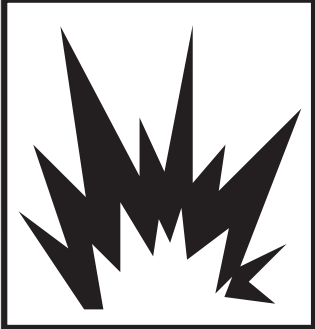

Veuillez avoir les informations suivantes disponibles pour toute intervention:

1. Numéro de modèle
2. Numéro de série
3. Date et lieu d'achat

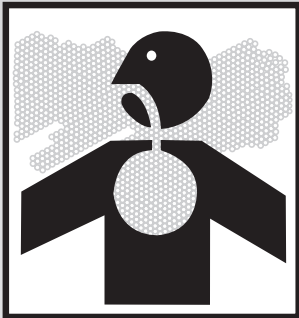
IMPORTANTES CONSIGNES DE SECURITE

Hazard	Potential Consequence	Prevention
<p style="text-align: center;">RISQUE DE DÉCHARGE ÉLECTRIQUE OU D'ÉLECTROCUTION</p> <div style="text-align: center;">  </div>	<p>Des étincelles électriques dans le moteur et l'interrupteur de pression peuvent être la cause de blessures graves ou la mort.</p> <p>Une décharge électrique peut se produire si le compresseur n'est pas utilisé correctement.</p> <p>Des risques de mort ou de blessures graves peuvent survenir si des réparations électriques sont effectuées par des personnes inexpérimentées.</p>	<p>tous les branchements électriques, doivent respecter tous les codes locaux et nationaux.</p> <p>Cet appareil doit être mis à la terre. Connecter le à un disjoncteur mis à la terre si il y en a un de disponible. Si l'appareil s'avère défectueux ou tombe en panne, la mise à la terre offre un trajet de moindre résistance au courant électrique pour réduire le risque de décharges électriques. Ne pas mettre à la terre à une ligne d'alimentation de gaz.</p> <p>Une connexion inappropriée du conducteur de mise à la terre d'équipement peut provoquer un risque d'électrocution. Consulter un électricien qualifié en cas de doute sur la mise à la terre du système.</p> <p>Soyez toujours certain que l'appareil reçoit un voltage correct (+/-5% du voltage inscrit sur la plaque du fabricant). Avant de faire des raccordements électriques, soyez certain que les interrupteurs sont en position d'ARRET (OFF).</p> <p>Garder tous les branchements au sec et au dessus du sol. Ne jamais faire fonctionner le compresseur dans des conditions humides.</p> <p>Toutes réparations ou tout câblage électrique effectués sur le compresseur doivent être effectués par le personnel d'un centre de service autorisé qualifié conformément aux codes d'électricité locaux et nationaux.</p>
<p style="text-align: center;">RISQUE DE BRULURES</p> <div style="text-align: center;">  </div>	<p>Le fait de toucher les surfaces de métal exposées peut causer de graves blessure. Ces surfaces peuvent rester chaudes pendant un certain temps après l'arrêt du chauffage.</p>	<p>Le fait de toucher les surfaces de métal exposées peut causer de graves blessure. Ces surfaces peuvent rester chaudes pendant un certain temps après l'arrêt du chauffage.</p>

IMPORTANTES CONSIGNES DE SECURITE

Hazard	Potential Consequence	Prevention
<p>RISQUES D'INCENDIE ET D'EXPLOSION</p> <div style="text-align: center;">   </div>	<p>Des étincelles électriques dans le moteur et l'interrupteur de pression peuvent être la cause de blessures graves ou la mort.</p> <p>Des blessures graves peuvent survenir si la prise ou la sortie d'air du chauffage est obstruée..</p> <p>Des blessures graves, voire la mort, peuvent survenir si le bon carburant n'est pas utilisé ou si le chauffage fonctionne durant le ravitaillement.</p> <p>Toujours placer le chauffage sur une surface stable et plane à l'écart des enfants et des animaux.</p>	<p>Ne pas démarrer le radiateur lorsque la Chambre est chaude.</p> <p>Ne pas démarrer le radiateur lorsque trop de Carburant s'est accumulé dans la chambre.</p> <p>N'est pas destiné à une utilisation avec un Réservoir à carburant externe.</p> <p>N'utilisez pas d'essence ou d'huile à vidange Pour carter, de naphte ou de carburants Volatils.</p> <p>Ne pas remplir le réservoir lorsque l'unité est En cours d'utilisation.</p> <p>Pour une utilisation sur des planchers non Combustibles avec des dégagements minimaux Autour des matériaux combustibles.</p> <p>Chaud lorsqu'il fonctionne. Ne pas toucher.</p> <p>Tenir les enfants, vêtements, animaux Domestiques et matériaux combustibles Éloignés du radiateur.</p> <p>Ne jamais orienter le radiateur vers une Bouteille de propane.</p> <p>Maintenir le stockage du carburant en gros à Une distance minimale de 25 pieds (8 mètres) du Radiateur.</p> <p>Conservez le carburant conformément aux Autorités fédérales, étatiques/provinciales Et/ou locales.</p> <p>Toujours remplir le radiateur à l'extérieur et Tenir éloigné des flammes nues.</p> <p>L'équipement doit être mis à la terre.</p> <p>Ne jamais manipuler le radiateur lorsqu'il Est chaud.</p> <p>Ne jamais transporter ce radiateur lorsqu'il Contient du carburant dans son réservoir.</p> <p>Le radiateur pourrait redémarrer à tout Instant lorsqu'il est utilisé ou équipé d'un Thermostat optionnel.</p> <p>Toujours placer ce radiateur sur une surface Stable et au niveau.</p> <p>Laissez le réflecteur se refroidir avant de le Manipuler ou de le transporter.</p> <p>Avant de déplacer le radiateur, veuillez Attendre que le radiateur ait complètement Refroidi et assurez-vous que le bouchon du Réservoir est complètement et étroitement Fermé.</p>

IMPORTANTES CONSIGNES DE SECURITE

Hazard	Potential Consequence	Prevention
<p style="text-align: center;">RISQUE DE PROBLEME RESPIRATOIRE</p> 	<p>Des blessures graves, voire la mort peuvent survenir si une bonne ventilation n'est pas fournie selon les consignes de ce manuel.</p>	<p>Ce chauffage est un chauffage au kérosène à air pulsé et à feu direct. Il est principalement conçu pour fournir un chauffage temporaire pour les bâtiments en construction, sous transformations ou en réparations. Chauffage à feu direct signifie que tous les produits de combustion de l'appareil de chauffage entrent dans l'espace chauffé. Cet appareil a une efficacité de combustion de 98 %, mais produit une petite quantité d'oxyde de carbone. L'oxyde de carbone est toxique. Les humains peuvent tolérer de petites quantités d'oxyde de carbone et des précautions doivent être prises pour fournir une ventilation appropriée. Le fait de ne pas fournir une ventilation appropriée selon ce manuel peut aboutir à la mort.</p> <p>Intoxication à l'oxyde de carbone: Les premiers signes de l'intoxication à l'oxyde de carbone ressemblent aux symptômes de la grippe tels que des maux de tête, des étourdissements, et/ou la nausée. Il est possible que votre chauffage ne marche pas correctement si vous éprouvez ces symptômes.</p> <p>Risque de pollution de l'air intérieur. Utiliser le radiateur seulement dans un endroit bien ventilé. Fournir une ouverture sur de l'air frais d'au moins 2800 cm² (3 pi²) pour chaque 45,000 BTU/h Fournir de l'air frais supplémentaire si plus d'un radiateur est utilisé.</p> <p>Les personnes avec des problèmes de respiration doivent consulter un médecin avant d'utiliser ce chauffage.</p> <p>Intoxication à l'oxyde de carbone: Les premiers signes de l'intoxication à l'oxyde de carbone ressemblent aux symptômes de la grippe tels que des maux de tête, des étourdissements, et/ou la nausée. Il est possible que votre chauffage ne marche pas correctement si vous éprouvez ces symptômes.</p> <p>Obtenir de l'air frais immédiatement ! Faire entretenir le chauffage. Certaines personnes sont plus atteintes par l'oxyde de carbone que les autres. Ceci inclut les femmes enceintes, les personnes avec des problèmes de cœur ou de poumon, celles sous l'influence d'alcool ou en haute altitude.</p> <p>Ne jamais utiliser ce chauffage dans les espaces d'habitation ou dans les pièces où l'on dort.</p>

IMPORTANTES CONSIGNES DE SECURITE

! VEUILLEZ LIRE CES INSTRUCTIONS ET LES CONSERVER VEUILLEZ LIRE SOIGNEUSEMENT ET COMPRENDRE CES CONSIGNES AVANT D'ASSEMBLER, D'UTILISER OU D'EFFECTUER L'ENTRETIEN DE CE RADIATEUR. VOUS RISQUERIEZ DE VOUS BLESSER OU DE BLESSER AUTRUI SI VOUS NE SUIVEZ PAS CES CONSIGNES. CE MANUEL DE L'UTILISATEUR A ÉTÉ CONÇU AFIN DE VOUS INSTRUIRE SUR LA MANIÈRE CORRECTE D'ASSEMBLER, D'ENTREtenir, D'ENTREPOSER ET DE FAIRE FONCTIONNER CE RADIATEUR DE MANIÈRE SÉCURITAIRE ET EFFICACE. NE LAISSEZ PAS UNE PERSONNE QUI N'A PAS LU CES INSTRUCTIONS ASSEMBLER, ALLUMER, AJUSTER OU FAIRE FONCTIONNER LE RADIATEUR.

! RÉSIDENTS CANADIENS CE RADIATEUR DOIT ÊTRE UTILISÉ CONFORMÉMENT AUX RÉGLEMENTATIONS DÉCRITES PAR LES AUTORITÉS AYANT JURIDICTION ET PAR LA NORME CSA B139.

! RÉSIDENTS DES É-U. : L'INSTALLATION DE CE RADIATEUR DOIT ÊTRE FAITE SELON LES RÉGLEMENTATIONS DÉCRITES PAR LES AUTORITÉS AYANT JURIDICTION ET PAR LE NFPA 31.

! IL S'AGIT D'UN APPAREIL DE CHAUFFAGE À MAZOUT SANS VENTILATION DESTINÉ AU CHAUFFAGE DES BÂTIMENTS EN CONSTRUCTION ET AU CHAUFFAGE TEMPORAIRE DES BÂTIMENTS ACHÉVÉS LORSQUE LES PRODUITS DE COMBUSTION SONT ÉVACUÉS À L'EXTÉRIEUR.

! DANGER: CET APPAREIL DE CHAUFFAGE EST CONÇU ET PRÉVU POUR LE CHAUFFAGE SPATIAL DES BÂTIMENTS EN CONSTRUCTION ET POUR LE CHAUFFAGE DES EMPLACEMENTS LORSQUE LES PRODUITS DE COMBUSTION SONT DÉCHARGÉS À L'AIR.

NE PAS UTILISER DANS LES ESPACES DE VIE

CONVIENT POUR UNE UTILISATION EN EXTÉRIEUR

! LE NON-RESPECT DES PRÉCAUTIONS ET DES INSTRUCTIONS FOURNIES AVEC CE RADIATEUR PEUT ENTRAÎNER LA MORT, DES BLESSURES GRAVES, DES PERTES OU DOMMAGES MATÉRIELS CAUSÉS PAR LES RISQUES D'INCENDIE, D'EXPLOSION, DE BRÛLURE, D'ASPHYXIE, D'INTOXICATION, D'EMPOISONNEMENT AU MONOXYDE DE CARBONE ET/OU DE CHOC ÉLECTRIQUE. SEULES LES PERSONNES QUI PEUVENT COMPRENDRE ET RESPECTER CES INSTRUCTIONS DOIVENT UTILISER OU ENTREtenir CE RADIATEUR. SI VOUS AVEZ BESOIN D'AIDE OU D'INFORMATIONS SUR LE RADIATEUR COMME LE MANUEL D'INSTRUCTION, LES ÉTIQUETTES, ETC. VEUILLEZ CONTACTER LE FABRICANT.

! AVERTISSEMENT : RISQUE D'INCENDIE, DE BRÛLURE, D'INHALATION ET D'EXPLOSION. ÉLOIGNEZ LES COMBUSTIBLES SOLIDES, COMME LES MATÉRIAUX DE CONSTRUCTION, LE PAPIER OU LE CARTON, À UNE DISTANCE SÉCURITAIRE DE CE RADIATEUR, TEL QUE RECOMMANDÉ DANS LES INSTRUCTIONS. N'UTILISEZ JAMAIS CE RADIATEUR DANS DES ESPACES CONTENANT OU POUVANT CONTENIR DES MATIÈRES INFLAMMABLES EN SUSPENSION DANS L'AIR OU VOLATILES, OU DES PRODUITS COMME DE L'ESSENCE, DES SOLVANTS, DU DILUANT DE PEINTURE, DES PARTICULES DE POUSSIÈRE OU DES PRODUITS CHIMIQUES INCONNUS.

! AVERTISSEMENT : N'EST PAS DESTINÉ À UN USAGE À DOMICILE OU DANS LES VÉHICULES RÉCRÉATIFS.

! AVERTISSEMENT: NE JAMAIS LAISSER UN CHAUFFAGE À AIR PULSÉ SANS SURVEILLANCE LORSQU'IL BRULE OU LORSQU'IL EST BRANCHE A UNE SOURCE D'ALIMENTATION.

! RÉSIDENTS DE LA VILLE DE NEW YORK, ÉTAT DE NEW YORK : LE CODE D'INCENDIE DE NEW YORK INTERDIT LE STOCKAGE, LA MANIPULATION ET L'UTILISATION DE RADIATEURS ALIMENTÉS AU KÉROSÈNE POUR LE CHAUFFAGE DES ESPACES. TOUTE PERSONNE ENFREIGNANT CETTE DISPOSITION RISQUE DE RECEVOIR UNE AMENDE POUVANT ATTEINDRE 10 000 \$ AINSI QU'UNE PEINE D'EMPRISONNEMENT POUVANT ALLER JUSQU'À 6 MOIS.

! RÉSIDENTS DU MASSACHUSETTS : LA LOI DE L'ÉTAT DU MASSACHUSETTS INTERDIT L'UTILISATION DE CE RADIATEUR DANS UN BÂTIMENT UTILISÉ TOTALEMENT OU PARTIELLEMENT POUR L'HABITATION HUMAINE. L'UTILISATION DE CET APPAREIL EXIGEUN PERMIS DU SERVICE LOCAL D'INCENDIES (M.G.L.C. 148, RUBRIQUE 10A)



!GARDER CES INSTRUCTIONS!





**LES PAGES SUIVANTES CONTIENNENT LES
CONSIGNES D'UTILISATION ET D'ENTRETIEN.
NE TENTER PAS DE FAIRE FONCTIONNER CE
COMPRESSEUR D'AIR AVANT D'AVOIR LU ET
COMPRIS TOUTES LES PRECAUTIONS ET
CONSIGNES DE SECURITE CONTENUES DANS
CE MANUEL.**

**L'UTILISATION INAPPROPRIEE DE CET
APPAREIL PEUT CAUSER DES BLESSURES
SERIEUSES!!**

**NE PAS ALTERER OU MODIFIER CET
EQUIPEMENT EN AUCUNE MANIERE!**

**NE JAMAIS LAISSER UN CHAUFFAGE À AIR PULSÉ SANS
SURVEILLANCE LORSQU'IL BRULE OU LORSQU'IL EST BRANCHE A
UNE SOURCE D'ALIMENTATION.**

CONSIGNES DE SÉCURITÉ

RISQUE DE MAUVAISE QUALITÉ DE L'AIR

- N'utilisez pas ce radiateur pour chauffer des logements humains.
- L'utilisation de radiateurs à feu direct dans l'environnement de construction peut conduire à une exposition à des niveaux de CO, CO₂ et NO₂ considérés comme étant dangereux pour la santé et potentiellement mortels.
- Ne pas l'utiliser dans les endroits non ventilés.
- Bien connaître les signes d'empoisonnement au CO et CO₂ : • Maux de tête, brûlure des yeux • Étourdissements, désorientation • Difficultés respiratoires, sensation d'étouffement.
- Une ventilation et circulation d'air adéquates (OSHA 29 CFR 1926.57) visant à soutenir la combustion et à maintenir une qualité de l'air appropriée devront être fournies conformément aux réglementations en matière de sécurité de l'OSHA 29 CFR Partie 1926.154 et de la norme ANSI A10.10 pour les dispositifs et équipements de chauffage d'espaces temporaires et portatifs utilisés dans l'industrie de la construction ou aux Codes d'installation du gaz naturel et du propane CSA B149.1.
- Veuillez suivre périodiquement les niveaux de CO, CO₂, et NO₂ existant sur le site de construction - au moins au début du quart et toutes les 4 heures par la suite.
- Veuillez fournir une ventilation et circulation d'air adéquates, naturelles ou mécaniques, tel que requis afin de maintenir une qualité de l'air intérieur acceptable.
- Assurez-vous que le flux d'air de combustion et de ventilation n'est pas obstrué.
- Comme le bâtiment « se resserrera » au cours des étapes de construction, il se peut que la ventilation doive être augmentée.

États-Unis Moyenne pondérée dans le temps sur 8 heures (OS A 29 CFR 1926.55 App A)

CO	50 ppm
CO ₂	5000 ppm
NO ₂	N/A

États-Unis - limite de plafond (Limite d'exposition à court terme = 15 minutes)

CO	N/A
CO ₂	N/A
NO ₂	5 ppm

Canada Moyenne pondérée dans le temps sur 8 heures, directives de WorkSafe BC en matière de santé et de sécurité au travail, partie 5.1, et lieu de travail de l'Ontario relatif au lieu de travail 833

CO	
CO ₂	
NO ₂	5 ppm

Canada STEL (15 minutes, Reg. 833/1 heure, WSBC), Directives sur la santé et la sécurité au travail de la Colombie-Britannique, partie 5.1, et Réglementation sur le lieu de travail de l'Ontario 833

CO	100 ppm
CO ₂	1500 ppm (WSBC) 30000 ppm (Reg 833)
NO ₂	1.0 ppm (WSBC) 5.0 ppm (Reg 833)

 **AVERTISSEMENT: NE JAMAIS LAISSER UN CHAUFFAGE À AIR PULSÉ SANS SURVEILLANCE LORSQU'IL BRULE OU LORSQU'IL EST BRANCHE A UNE SOURCE D'ALIMENTATION.**

 **AVERTISSEMENT : NE PAS MANIPULER LE RADIATEUR. DEMANDEZ À UN ÉLECTRICIEN OU TECHNICIEN COMPÉTENT D'EFFECTUER TOUS LES RÉGLAGES ET RÉPARATIONS NÉCESSAIRES.**

 **AVERTISSEMENT : NE JAMAIS BLOQUER L'ENTRÉE (ARRIÈRE) OU LA SORTIE D'AIR (AVANT). NE JAMAIS ATTACHER DES CONDUITS À L'AVANT OU À L'ARRIÈRE DU RADIATEUR.**

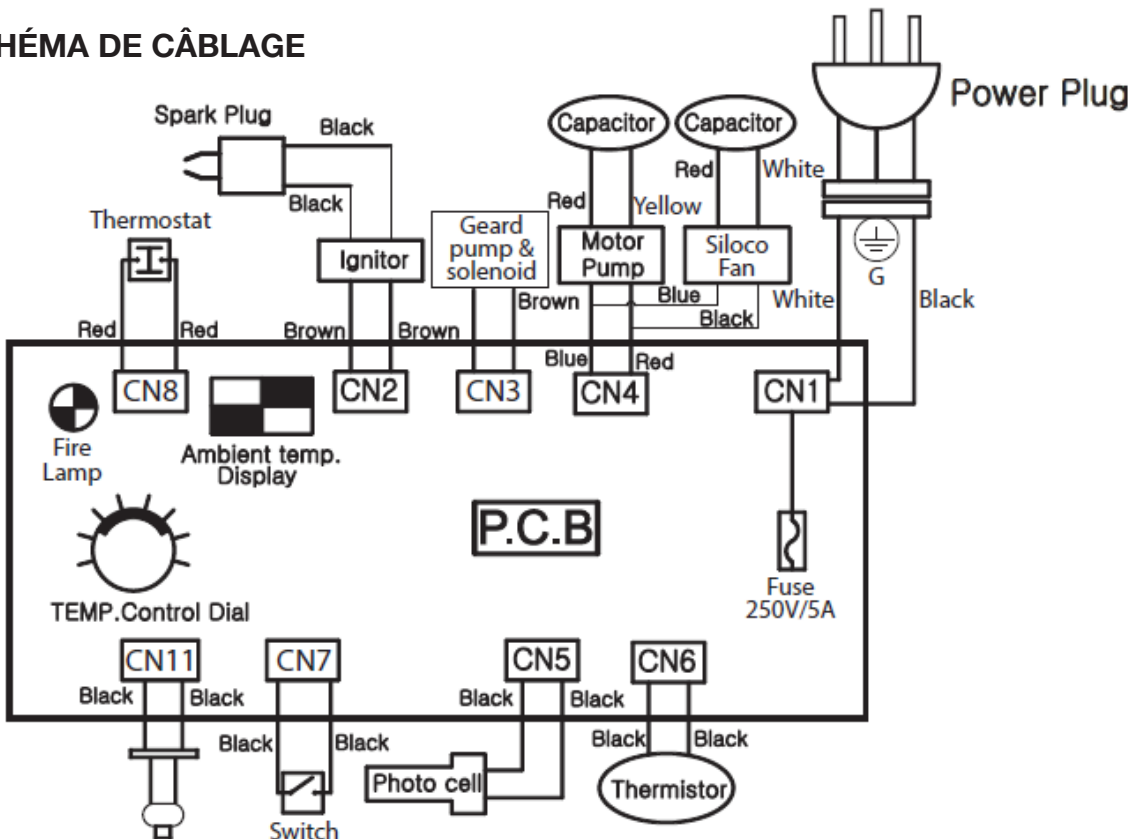
SPÉCIFICATIONS

Modèle	MH-0400-0M11
Puissance de sortie (BTU/heure)	400,000
Consommation de carburant	3
Capacité du réservoir de carburant (gallons US)	21
Pression de la pompe	157
Volt/hertz	120VAC/ 60 Hz
Ampérage	3.3
Phase	Monophasé
Taille (Longueur x largeur x hauteur) (cm)	XXXXXXXX
Poids net (kg)	XXXX

Distance minimum des combustibles	
	MH-0400-0M11
Haut	3 pi / 1,0 m
Cotés	3 pi / 1,0 m
Avant	10 pi / 3,0 m

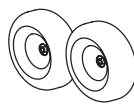
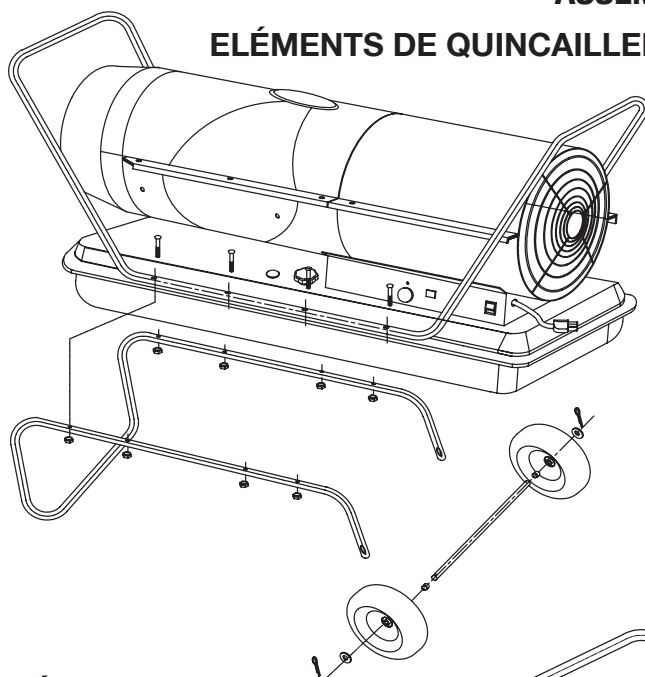
⚠️ POUR UNE UTILISATION SUR DES PLANCHERS NON COMBUSTIBLES AVEC DES DÉGAGEMENTS MINIMAUX AUTOUR DES MATÉRIAUX COMBUSTIBLES.

SCHÉMA DE CÂBLAGE



ASSEMBLAGE

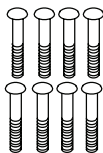
ÉLÉMENTS DE QUINCAILLERIE



Roues x2



Essieu



M6 boulon x8



M6 l'écrou x8



La Rondelle x2



Bague x2



Pin x2

Note : Outils nécessaires tournevis à pointe cruciforme (tournevis Phillips) moyen, Clé M5 ouverte ou réglable.

DÉBALLAGE

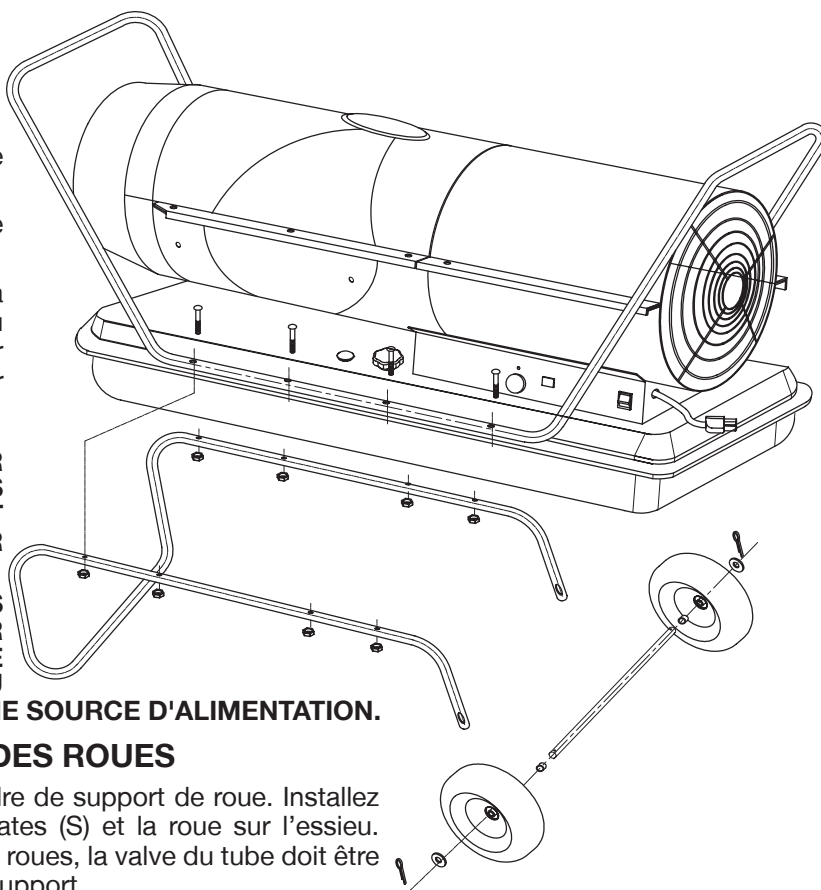
1. Retirez le radiateur de la boîte.
2. Enlevez tous les produits d'emballage de la boîte associés au radiateur.
3. Enlevez tous les produits d'emballage de la boîte associés au radiateur.
4. Vérifiez le radiateur afin de déceler la présence possible de dommages au cours de l'expédition. Si le radiateur est endommagé, veuillez informer rapidement, Service Clients.

ATTENTION: NE PAS UTILISER LE CHAUFFAGE SANS QUE LE RESERVOIR SOIT COMPLÈTEMENT MONTÉ SUR L'ARMATURE DE SUPPORT.

ADVERTISSEMENT: NE JAMAIS LAISSER UN CHAUFFAGE À AIR PULSÉ SANS SURVEILLANCE LORSQU'IL BRÛLE OU LORSQU'IL EST BRANCHE A UNE SOURCE D'ALIMENTATION.

ASSEMBLAGE DU CHÂSSIS ET DES ROUES

1. Faites glisser l'essieu à travers le cadre de support de roue. Installez les bagues de roue, les rondelles plates (S) et la roue sur l'essieu. REMARQUE : lors de l'installation des roues, la valve du tube doit être orientée vers l'extérieur du cadre de support.
2. Placez les rondelles plates (L) et les goupilles fendues sur les extrémités de l'essieu et pliez les goupilles fendues avec une pince à bec long pour les fixer.
3. Placez le chapeau de roue sur les rondelles plates (L) et placez le chapeau de roue dans les rondelles plates (L).
4. Placez le réchauffeur sur le cadre de support de roue. Assurez-vous que l'extrémité d'entrée d'air (arrière) du radiateur est au-dessus des roues. Alignez les trous sur la bride du réservoir de carburant. Insérez les vis dans les poignées (avant et arrière), la bride du réservoir de carburant et le cadre de support de roue comme illustré ci-dessous et fixez l'écrou à la main après avoir inséré chaque vis.
5. Une fois toutes les vis insérées, serrez fermement les écrous.



FONCTIONNEMENT

ALIMENTER LE RADIATEUR

Assurez-vous que le radiateur est à niveau. Enlevez le bouchon du réservoir et remplissez le réservoir à carburant de kérosène propre pour garantir la performance optimale de ce radiateur. Ce radiateur a été testé et certifié pour une utilisation avec du fioul JP8 / Jet A, # 1 et # 2 et du diesel # 1 et # 2. Le diesel ne brûle pas aussi proprement que le kérosène 1-K, et vous devez prendre soin d'offrir une ventilation d'air frais appropriée afin d'accommoder l'expulsion des contaminants supplémentaires qui pourraient être produits lors de l'utilisation du radiateur. Par temps extrêmement froid, il est recommandé d'utiliser un stabilisateur de carburant formulé pour évacuer la condensation et éviter que le carburant ne se gèle lorsqu'il est ajouté au réservoir à carburant. Ne pas trop remplir le réservoir de carburant. Remplacez le bouchon du réservoir après le ravitaillement du réservoir de carburant.

AVERTISSEMENT: NE PAS DÉMARRER LE RADIATEUR LORSQUE CELUI-CI EST CHAUD.

- NE PAS DÉMARRER LE RADIATEUR LORSQUE TROP DE CARBURANT S'EST ACCUMULÉ DANS LA CHAMBRE.
- N'EST PAS DESTINÉ À UNE UTILISATION AVEC UN RÉSERVOIR À CARBURANT EXTERNE.
- NE REMPLISSEZ JAMAIS LE RÉSERVOIR DE CARBURANT DANS UN ESPACE HABITABLE.
- N'UTILISEZ PAS D'ESSENCE OU D'HUILE À VIDANGE POUR CARTER, DE NAPHTHE OU DE CARBURANTS VOLATILS.
- REMPLISSEZ TOUJOURS LE RÉSERVOIR À CARBURANT À L'EXTÉRIEUR DES ESPACES HABITABLES.

NOTA: Le kérosène ne doit être entreposé que dans un récipient bleu qui est nettement marqué « Kérosène ». Ne jamais entreposer le kérosène dans un récipient rouge. Le rouge est associé avec l'essence.

- N'emmagasinez JAMAIS du kérosène dans un espace habitable. Le kérosène doit être emmagasiné dans un endroit bien ventilé hors des espaces habitables.
- N'emmagasinez JAMAIS du kérosène directement au soleil ou près d'une source de chaleur.
- N'utilisez JAMAIS du kérosène qui a été emmagasiné une saison précédente pour être utilisé durant la saison présente. Le kérosène se détériore au fil du temps. DU VIEUX KÉROSÈNE NE BRÛLERA PAS DE MANIÈRE APPROPRIÉE DANS CE RADIATEUR.
- Utilisez du kérosène 1-K avec ce radiateur Carburant no. 1 (l'huile est un substitut adéquat).

AVERTISSEMENT: NE JAMAIS LAISSER UN CHAUFFAGE À AIR PULSÉ SANS SURVEILLANCE LORSQU'IL BRÛLE OU LORSQU'IL EST BRANCHE A UNE SOURCE D'ALIMENTATION.

AVIS: Le premier allumage de votre radiateur doit être fait à L'EXTÉRIEUR. Ce premier allumage permettrait aux huiles et autres lubrifiants utilisés durant le processus de fabrication d'être brûlés à l'extérieur.

BRANCHER À LA SOURCE D'ALIMENTATION

Après avoir remplir le réservoir à carburant de combustible homologué, branchez la prise à une rallonge mise à la terre à 3 volets correctement calibrée pour cette application.

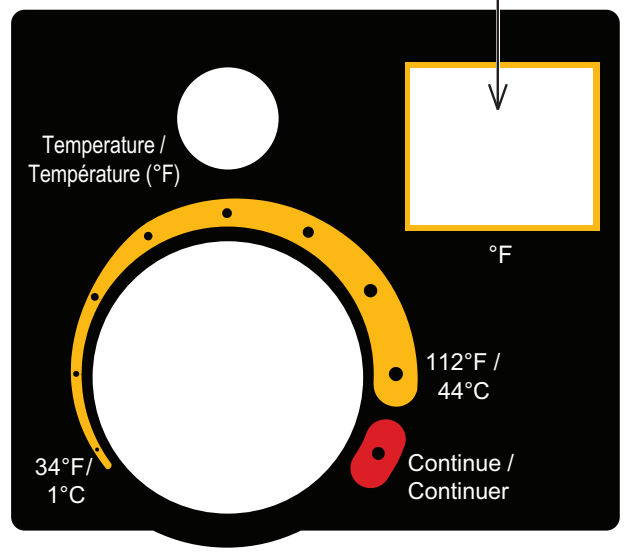
Exigences de longueur de la rallonge:

- 6 à 10 pieds (1,8 à 3 mètres); utilisez un conducteur 18 AWG.
- 11 à 100 pieds (3,4 à 30,53 mètres); utilisez un conducteur 16 AWG.
- 101 à 200 pieds (30,8 à 61 mètres); utilisez un conducteur 14 AWG.

RÉGLER LE THERMOSTAT

1. Tournez le bouton de commande des températures dans le sens horaire pour obtenir la température souhaitée. Mettez le bouton d'alimentation en position « ON » (MARCHE). La lampe d'indication de l'alimentation s'allumera et le radiateur commencera.

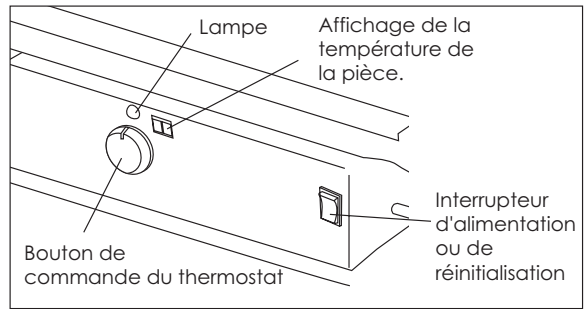
The room temperature display will indicate the following:
* When the temperature is less than 0° F, the display says "LO"
* When the temperature is more than 99° F, the display says "HI"
* Between 0° F and 99° F the display shows the actual room temperature



FONCTIONNEMENT

2. Si le radiateur ne s'allume pas, les réglages du thermostat pourraient être inférieurs à la température ambiante.
3. Tournez le bouton de commande du thermostat sur un réglage de température plus élevée.
4. Si le radiateur ne démarre toujours pas, mettez l'interrupteur en position « OFF » (ARRÊT). Attendez 10 secondes. Placez l'interrupteur en position « ON » (MARCHE).

REMARQUE : Les composantes électriques principales de ce radiateur sont protégées par un disjoncteur de sécurité monté sur le panneau PCB qui se trouve à l'arrière du panneau latéral droit. Vérifiez ce disjoncteur en premier et remplacez-le si nécessaire si le radiateur refuse d'allumer. Vous devez également vérifier votre source d'alimentation afin de vous assurer que le voltage et la fréquence sont appropriées pour le radiateur.



ÉTEINDRE LE RADIATEUR

1. Mettez le bouton d'alimentation en position « OFF » (ARRÊT).
2. Attendez que le radiateur ait refroidi, puis débranchez-le de la source d'alimentation.

REDÉMARRER LE RADIATEUR

1. Patientez pendant 10 secondes après avoir arrêté le radiateur.
2. Mettez le bouton d'alimentation en position « ON » (MARCHE).
3. Si le radiateur ne s'allume pas, les réglages du thermostat pourraient être inférieurs à la température ambiante. Tournez le bouton de commande du thermostat sur un réglage de température plus élevée. Si le radiateur ne démarre toujours pas, mettez l'interrupteur en position « OFF » (ARRÊT). Attendez 10 secondes. Placez l'interrupteur en position « ON » (MARCHE).

REDÉMARRER LE RADIATEUR APRÈS UN ARRÊT DE SÉCURITÉ

1. Mettez le bouton d'alimentation en position « OFF » (ARRÊT).
2. Débranchez le radiateur de sa source d'énergie.
3. Veuillez attendre 10 secondes pour que le système se réinitialise.
4. Branchez le radiateur dans sa source d'énergie.
5. Mettez le bouton d'alimentation en position « ON » (MARCHE).

⚠ ADVERTISSEMENT: NE JAMAIS LAISSER UN CHAUFFAGE À AIR PULSÉ SANS SURVEILLANCE LORSQU'IL BRÛLE OU LORSQU'IL EST BRANCHE À UNE SOURCE D'ALIMENTATION.

ENTRETIEN

⚠ AVERTISSEMENT : NE PAS MANIPULER LE RADIATEUR. DEMANDEZ À UN ÉLECTRICIEN OU TECHNICIEN COMPÉTENT D'EFFECTUER TOUS LES RÉGLAGES ET RÉPARATIONS NÉCESSAIRES.

⚠ AVERTISSEMENT : DÉBRANCHEZ LE RADIATEUR DE SA SOURCE D'ÉNERGIE AVANT CHAQUE ENTRETIEN.

⚠ AVERTISSEMENT : CHAUD LORSQU'IL FONCTIONNE. NE PAS TOUCHER. LAISSEZ LE RADIATEUR SE REFROIDIR AVANT TOUT ENTRETIEN

⚠ AVERTISSEMENT: NE JAMAIS LAISSER UN CHAUFFAGE À AIR PULSÉ SANS SURVEILLANCE LORSQU'IL BRULE OU LORSQU'IL EST BRANCHE A UNE SOURCE D'ALIMENTATION.

AVANT D'UTILISER CE RADIATEUR

Inspectez visuellement le radiateur pour détecter la présence de dommages. Il se peut que certaines pièces se soient desserrées ou aient été endommagées lors de la manipulation de l'appareil. Assurez-vous que le bouchon du réservoir est solidement fixé et vérifiez que le bouchon de vidage (le cas échéant selon votre modèle) est bien installé. Veuillez remplacer ou réparer toutes les pièces endommagées avant d'utiliser ce radiateur. UTILISEZ LES PIÈCES DE RECHANGE ORIGINALES DE L'ÉQUIPEMENT. L'utilisation de composants provenant de tiers ou de composants alternatives annulera la garantie et pourrait causer des conditions de fonctionnement non sécuritaires. Si vous avez besoin de pièces de remplacement ou d'assistance, contact customer service.

NOUS SUGGÉRONS DE SUIVRE UN CALENDRIER D'ENTRETIEN COMME SUIT :

CARBURANT/RÉSERVOIR DE CARBURANT

Rincer toutes les 200 heures de fonctionnement ou au besoin. Ne pas utiliser d'eau pour rincer le réservoir. Utilisez de l'essence fraîche ou du kérosène et séchez.

FILTRES

Le filtre à carburant et le filtre à huile doivent être nettoyés au moins deux fois par saison de chauffage en les rinçant avec de l'essence propre ou du kérosène. Le carburant contaminé pourrait rendre cela nécessaire immédiatement.

PALES DE VENTILATEUR

⚠ AVERTISSEMENT ! N'ENTRETENEZ JAMAIS LE RADIATEUR LORSQU'IL EST CHAUD OU ENCORE CONNECTÉ À UNE SOURCE ÉLECTRIQUE.

Les pales du ventilateur doivent être nettoyées au moins une fois par saison de chauffage, selon les conditions. Retirez toute la poussière et la saleté accumulées avec un chiffon humide, en prenant soin de ne pas plier les pales du ventilateur. Assurez-vous que les pales du ventilateur sont sèches avant de redémarrer le radiateur.

POMPE À ENGRENAGES

Nettoyez le filtre de la pompe toutes les 200 heures ou à tout moment nécessaire. Vous pouvez ajuster la pression de la pompe avec une clé, mais la pression est réglée en usine et ne l'ajustez pas comme vous le souhaitez. Si vous souhaitez régler la pression, veuillez installer le manomètre d'huile et régler pour maintenir la pression entre 7 et 12 kgf/cm.

BUSES

Les buses doivent être nettoyées ou remplacées au moins une fois par saison de chauffage. Le carburant contaminé pourrait rendre cela nécessaire immédiatement. Pour nettoyer la saleté de la buse, soufflez de l'air comprimé à travers l'avant de la buse. Il peut être nécessaire de tremper la buse dans du kérosène 1-K propre pour aider à détacher les particules.

BOUGIE D'ALLUMAGE

Nettoyer et ré-écarter toutes les 600 heures de fonctionnement, ou remplacer au besoin. Après avoir retiré la bougie, nettoyez les bornes avec une brosse métallique. Réécarter les bornes à 0,140 po (3,5 mm).

ENTRETIEN

CELLULE PHOTOÉLECTRIQUE

La cellule photoélectrique doit être nettoyée au moins une fois par saison de chauffage ou plus selon les conditions. Utilisez un coton imbibé d'eau ou d'alcool pour nettoyer la lentille de la cellule photoélectrique. Notez la position correcte de la cellule photoélectrique comme indiqué dans ce manuel.

STOCKAGE À LONG TERME

1. Dévisser le bouchon du réservoir.
2. À l'aide d'un siphon à kérosène, retirer le kérosène.
3. À l'aide d'une petite quantité de kérosène, rincez et faites tourbillonner le kérosène à l'intérieur du réservoir de carburant. Videz complètement le réservoir. **NE JAMAIS MÉLANGER DE L'EAU AVEC DU KÉROSÈNE**, car cela provoquerait de la rouille à l'intérieur du réservoir.
4. Videz complètement le réservoir.

Ne stockez jamais les restes de kérosène pendant l'été. L'utilisation d'un vieux combustible peut endommager votre appareil de chauffage.

Entreposez l'appareil de chauffage dans un endroit sec et bien aéré.

Assurez-vous que la zone de stockage est exempte de poussière et de vapeurs corrosives. Remballez l'appareil de chauffage dans le matériel d'expédition d'origine. Conservez le manuel du propriétaire dans un endroit facilement accessible.



AVERTISSEMENT: NE JAMAIS LAISSER UN CHAUFFAGE À AIR PULSÉ SANS SURVEILLANCE LORSQU'IL BRULE OU LORSQU'IL EST BRANCHE A UNE SOURCE D'ALIMENTATION.



GARANTIE LIMITÉE

Mi-T-M garantit à l'acheteur au détail d'origine seulement que ce radiateur sera exempt de défauts de matière et de fabrication pendant

une période d'un an à partir de la date de l'achat initial.

Ce produit doit être installé, entretenu et utilisé correctement, en conformité avec les instructions fournies.

Mi-T-M exige une preuve raisonnable de la date d'achat chez un détaillant ou un distributeur autorisé. Il vous faut donc conserver votre preuve d'achat, facture ou chèque annulé pour l'achat d'origine. Cette garantie limitée couvre uniquement la réparation ou le remplacement des pièces jugées défectueuses dans des conditions d'utilisation et d'entretien normales pendant la période de garantie et Mi-T-M se réserve le droit de déterminer ceci à sa seule discrétion. Cette garantie ne couvre pas les pièces d'usure: filtres, ailettes, gicleurs et rotors.

Cette garantie limitée ne couvre pas toute défaillance ou difficulté d'utilisation résultant d'un usage normal, d'une usure normale, d'un accident, d'un abus, d'une mauvaise utilisation, d'une altération, d'un mauvais usage, d'une installation inadéquate ou encore d'une réparation ou d'un entretien inadéquats par vous ou par une quelconque tierce partie. Le fait de négliger d'effectuer l'entretien normal et de routine de ce radiateur, les dommages causés lors de l'expédition de l'expédition ou reliés à des insectes, des oiseaux ou des animaux ou encore à tout autre dommage résultant des conditions météorologiques ne sont pas couverts par cette garantie. En outre, cette garantie limitée ne couvre pas les dommages au fini, comme les égratignures, les encoches, la décoloration, la rouille ou d'autres dommages résultant des conditions météorologiques, et survenus après l'achat.

Tous les frais de transport pour le retour de produits ou de pièces endommagés doivent être défrayés par l'acheteur. Sur réception de l'article endommagé, Mi-T-M examinera l'article en question et déterminera s'il est défectueux. Mi-T-M réparera ou remplacera et retournera l'article frais de port payés. Si Mi-T-M détermine que l'article est dans un état d'utilisation normale, ou n'est pas défectueux, il sera retourné fret payable à l'arrivée. Cette garantie limitée remplace toute autre garantie explicite. Mi-T-M renonce à toute garantie de produits achetés de vendeurs autres que des détaillants ou distributeurs autorisés.

APRÈS UNE PÉRIODE D'UN (1) AN CETTE GARANTIE EXPRESSE EXPIRE, MI-T-M RENONCE À TOUTE GARANTIE IMPLICITE INCLUANT, MAIS SANS S'Y LIMITER, TOUTE GARANTIE IMPLICITE DE QUALITÉ MARCHANDE OU D'ADAPTATION À UN USAGE PARTICULIER. EN OUTRE, MI-T-M N'EST AUCUNEMENT RESPONSABLE ENVERS L'ACHETEUR OU ENVERS TOUTE TIERCE PARTIE POUR UN QUELCONQUE DOMMAGE INDIRECT, PUNITIF, CONNEXE OU FORTUIT. Mi-T-M n'assume aucune responsabilité pour un quelconque défaut causé par une tierce partie. Cette garantie limitée donne à l'acheteur des droits légaux spécifiques; un acheteur pourrait jouir d'autres droits selon de la juridiction où il réside. Certaines juridictions ne permettent pas l'exclusion ou la limitation des dommages spéciaux, indirects ou fortuits ou des limitations sur la durée d'une garantie; les limitations ci-dessus pourraient donc ne pas s'appliquer à votre cas.

Mi-T-M n'autorise aucune personne ou aucune entreprise à assumer pour elle une quelconque obligation ou responsabilité autre reliée à la vente, l'installation, l'utilisation, l'enlèvement, le retour ou le remplacement de ces équipements et aucune telle représentation ne lie en quelque manière Mi-T-M


Toujours s'assurer de spécifier le numéro de modèle et le numéro de série lors de toute demande à Mi-T-M

Pour service ou considération de garantie, contactez
Mi-T-M® Corporation, 50 MI-T-M Drive, Peosta, IA 52068
563-556-7484 / 800-553-9053 / Fax 563-556-1235
du lundi au vendredi, de 8h00 à 17h00, CST (heure centrale)

TABLE OF CONTENTS

ADVERTENCIAS IMPORTANTES DE SEGURIDAD	35
INFORMACION GENERAL DE SEGURIDAD	40
ESPECIFICACIONES.....	41
MONTAJE	41
COMPONENTES DE FERRETERIA.....	41
DESEMBALAJE.....	42
ENSAMBLAJE DE GUARDA	42
ABASTECIMIENTO DEL CALEFACTOR.....	43
CONECCION A UNA FUENTE DE ALIMENTACION.....	43
OPERACION	43
AJUSTE DEL TERMOSTATO	44
APAGAR EL CALENTADOR.....	44
REINICIO DEL CALEFACTOR	44
REINICIO DEL CALEFACTOR DESPUES DEL APAGADO DE SEGURIDAD.....	44
MANTENIMIENTO.....	45
ANTES DE OPERAR ESTE CALEFACTOR.....	45
GARANTIA LIMITADA	47

ADVERTENCIA

 **ADVERTENCIA:** Este producto puede exponerlo a productos químicos, incluido el plomo, que el Estado de California conoce a causar cáncer y defectos congénitos u otros daños reproductivos. Para obtener más información, visite www.P65Warnings.ca.gov

INTRODUCCION

¡Felicitaciones por la compra de su nueva compresor de aire eléctrico! Puede estar seguro que su compresor de aire eléctrico fue construida con el nivel más. Cada componente ha sido probado rigurosamente por técnicos para asegurar la calidad, la resistencia y el rendimiento de esta unidad.

Este manual del operador fue compilado para su beneficio. Leyendo y siguiendo los pasos simples de seguridad, instalación, operación, mantenimiento y localización de fallas descritos en este manual ayudará a prolongar aun más la operación libre de fallas que usted puede esperar de su compresor de aire eléctrico. El contenido de este manual está basado en la información actualizada disponible al momento de la publicación. Mi-T-M® se reserva el derecho de efectuar cambios en precio, color, materiales, equipo, especificaciones o modelos en cualquier momento sin previo aviso.

¡IMPORTANTE!

Estos párrafos están rodeados por una “CASILLA DE ALERTA DE SEGURIDAD”. Esta casilla se usa par designar y enfatizar las Advertencias de Seguridad que deben seguirse al operar esta lavadora a presión. Acompañando a las Advertencias de Seguridad están las “palabras de alerta” que designan el grado o nivel de seriedad de riesgo. Las “palabras de alerta” usadas en este manual son las siguientes:

PELIGRO: Indica una situación inminente riesgosa la cual, si no se evita, RESULTARA en la muerte o en lesiones graves.

ADVERTENCIA: Indica una situación potencialmente riesgosa la cual, si no se evita, PODRIA resultar en la muerte o en lesiones graves.

PRECAUCION: Indica una situación potencialmente riesgosa la cual, si no se evita PUEDE resultar en lesiones menores o moderadas.



El símbolo indicado a la izquierda de este párrafo es el “Símbolo de Alerta de Seguridad”. Este símbolo se usa para alertarlo acerca de artículos o procedimientos que podrían ser peligrosos para usted u otras personas usando este equipo.

PROVEA SIEMPRE UNA COPIA DE ESTE MANUAL A CUALQUIER PERSONA QUE USE ESTE EQUIPO. LEA TODAS LAS INSTRUCCIONES ANTES DE OPERAR ESTA LAVADORA A PRESION, OBSERVANDO EN PARTICULAR LAS “ADVERTENCIAS DE SEGURIDAD” PARA EVITAR LA POSIBILIDAD DE LESIONES PERSONALES AL OPERADOR.

Escriba el número de serie de su unidad en el espacio provisto abajo, una vez que la unidad haya sido desempacada.

NUMERO DE SERIE _____



Inspeccione por daño el contenido de la caja. Si algo parece dañado, NO LA DEVUELVA AL LUGAR DE COMPRA. Llame a su representante de servicio al cliente de al 800-553-9053.

Por favor tenga disponible la información siguiente para todas las llamadas de servicio:

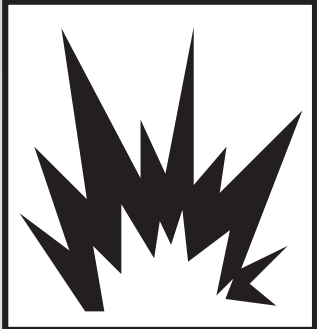

1. Número de modelo
2. Número de serie
3. Fecha y lugar de compra

Mi-T-M® Corporation
50 MI-T-M Drive
Peosta, IA 52068-0050

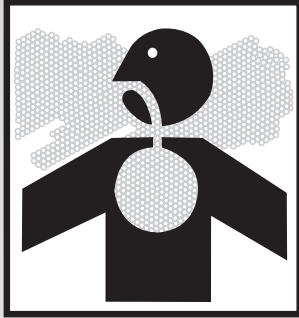
ADVERTENCIAS IMPORTANTES DE SEGURIDAD

Hazard	Potential Consequence	Prevention
<p style="text-align: center;">RIESGO DE DESCARGAS ELÉCTRICAS O ELECTROCUCIÓN</p> 	<p>Una incorrecta conexión a tierra del compresor de aire puede causar lesiones graves o incluso la muerte. Su compresor de aire es alimentado por corriente eléctrica que puede causar descargas eléctricas o electrocución, si no se usa correctamente.</p> <p>Las descargas eléctricas pueden ocurrir si no se usa correctamente el compresor de aire.</p> <p>Reparaciones de partes eléctricas realizadas por personal incapacitado puede causar lesiones graves o incluso la muerte.</p>	<p>La instalación de esta unidad, incluyendo todas las conexiones eléctricas, debe conformarse con todo el local, estado y códigos nacionales.</p> <p>Este producto debe ser puesto a tierra. Conecte con un interruptor de GFCI cuando esta' disponible. Si funciona incorrectamente la unidad o interrupción, el poner a tierra proporciona una trayectoria de menos resistencia para la corriente eléctrica para reducir el riesgo de la descarga eléctrica. No mueva a una línea de fuente de gas.</p> <p>La conexión incorrecta del conductor equipo-que pone a tierra puede dar lugar a un riesgo del electrocution. Compruebe con un electricista o un personal de servicio cualificado si usted es en duda si el sistema está puesto a tierra correctamente.</p> <p>Esté siempre seguro que la unidad está recibiendo voltaje apropiado Antes de instalar conexiones eléctricas, esté seguro que los interruptores están en la posición de "off".</p> <p>Mantenga todas las conexiones secas y de la tierra.</p> <p>No usar sin las protecciones de seguridad/coberturas o si éstas están dañadas.</p> <p>Cualquier operación de cableado o reparación eléctrica en debe ser realizado por personal autorizado, conforme a las normas eléctricas locales y nacionales.</p>
<p style="text-align: center;">RIESGO DE QUEMADURAS</p> 	<p>La herida grave podría ocurrir de tocar partes metálicas expuestas. Estas áreas pueden quedarse caliente durante un tiempo después de que la calentadora sea apagada.</p>	<p>Asegurarse que ninguna parte del cuerpo o de otros materiales entre en contacto con las partes metálicas expuestas del compresor de aire.</p>


ADVERTENCIAS IMPORTANTES DE SEGURIDAD

Hazard	Potential Consequence	Prevention
<p>RIESGO DE EXPLOSIÓN O DE INCENDIO</p> <div style="text-align: center;">   </div>	<p>Normales chispas eléctricas del motor y del interruptor de presión pueden causar lesiones graves e incluso la muerte.</p> <p>La herida grave puede ocurrir la entrada o salida del aire de la calentadora son bloqueadas.</p> <p>La herida o la muerte graves pueden ocurrir si combustibles impropios son utilizados, si calentadora esta operando al rellenar.</p> <p>SIEMPRE mantenga la calentadora en una superficie de establo y nivel. SIEMPRE mantenga a niños y animales lejos de calentadora.</p>	<p>No encienda el calefactor cuando la cámara esté caliente.</p> <p>No encienda el calefactor cuando se haya acumulado un exceso de combustible en la cámara.</p> <p>No lo utilice con un tanque de combustible externo.</p> <p>No utilice gasolina o drenaje de cárter, nafta o combustibles volátiles.</p> <p>No llene el tanque mientras la unidad se encuentre en funcionamiento.</p> <p>Para su uso en suelos no combustibles con una salida mínima a los materiales combustibles. Caliente mientras está en funcionamiento. No lo toque.</p> <p>Mantenga a los niños, ropa, animales domésticos y combustibles alejados del calefactor.</p> <p>Nunca apunte el calefactor hacia un cilindro de propano.</p> <p>Mantenga el almacenamiento de combustible a granel a un mínimo de 8 metros (25 pies) del calefactor.</p> <p>Almacene combustible de acuerdo con las autoridades federales, estatales y/o locales.</p> <p>Siempre llene el calefactor al aire libre y manténgalo alejado de las llamas.</p> <p>El equipo debe estar conectado a tierra.</p> <p>Nunca manipule el calefactor mientras esté caliente.</p> <p>Nunca transporte el calefactor con combustible en el tanque.</p> <p>Si se utiliza con un termostato opcional o si está equipado con un termostato, el calefactor puede ponerse en marcha en cualquier momento.</p> <p>Siempre sitúe el calefactor en una superficie estable y nivelada.</p> <p>Deje que el calefactor se enfríe antes de manipularlo o transportarlo.</p> <p>Antes de trasladar el calefactor, espere hasta que el mismo se haya enfriado completamente y asegúrese de que el tapón de combustible esté bien cerrado.</p>

ADVERTENCIAS IMPORTANTES DE SEGURIDAD

Hazard	Potential Consequence	Prevention
<p style="text-align: center;">RIESGOS A LA RESPIRACIÓN</p> 	<p>La herida o la muerte graves podrían ocurrir del fracaso para tener ventilación apropiada según este manual.</p>	<p>Esta es una calentadora del aire forcido que use queroseno y directo-despidió. El uso principal es para la calefacción temporaria de edificios en construcción, la modificación o la reparación. Los medios de directo-despidió que todos los productos de combustión de la calentadora entran el espacio calentado. Este aparato es valorado en 98% de eficiencia de combustión, pero produce cantidades pequeñas de monóxido de carbono. El monóxido de carbono es tóxico. Los humanos pueden tolerar cantidades pequeñas de monóxido de carbono, y las precauciones deben ser tomadas para proporcionar ventilación apropiada. El fracaso para proporcionar ventilación apropiada según este manual puede tener como resultado la muerte.</p> <p>Si no se suministra la adecuada ventilación indicada en este manual, se puede ocasionar la muerte. Las primeras etapas de intoxicación por monóxido de carbono producen síntomas similares a los de la gripe. Los síntomas que puede sufrir si la ventilación no es la adecuada son: * dolor de cabeza * mareo * irritación de la nariz y los ojos * náusea * boca seca * irritación de la garganta</p> <p>La abertura debe tener al menos 0.28 m² por cada 45,000 Btu de capacidad máxima.</p> <p>Las personas con problemas de respirar deben consultar a un médico antes de utilizar la calentadora. El Envenenamiento del Monóxido de carbono: Los signos tempranos de envenenamiento de monóxido de carbono se parecen a síntomas que son similares al gripe como dolores de cabeza, al mareo, y/o a la náusea. Si usted tiene estos síntomas, su calentadora no puede estar trabajando apropiadamente.</p> <p>¡Consiga aire fresco inmediatamente! La calentadora necesita atención pronto. Algunas personas son afectadas mas por monóxido de carbono que otros. Estos incluyen a mujeres embarazadas, éstos con problemas del corazón o problemas pulmonares, con la anemia, o con éstos ebrio, o a grandes altitudes. Nunca utilice esta calentadora en áreas de vivienda ni áreas durmientes.</p>

ADVERTENCIAS IMPORTANTES DE SEGURIDAD

 LEA Y GUARDE ESTAS INSTRUCCIONES CUIDADOSAMENTE. LEA Y ENTIENDA ESTAS INSTRUCCIONES ANTES DE ENSAMBLAR, OPERAR U OTORGAR MANTENIMIENTO A ESTE CALEFACTOR. USTED PUEDE LESIONAR O A OTROS O A SI MISMO SI NO SIGUE LAS INSTRUCCIONES. ESTE MANUAL HA SIDO DISEÑADO PARA INSTRUIRLE SOBRE LA MANERA APROPIADA DE ENSAMBLAR, MANTENER, ALMACENAR, Y LO MÁS IMPORTANTE, CÓMO OPERAR EL CALEFACTOR DE UNA MANERA SEGURA Y EFICIENTE. NO PERMITA QUE NADIE QUE NO HAYA LEÍDO ESTAS INSTRUCCIONES DE ENSAMBLE, ENCIENDA, AJUSTE U OPERE ESTE CALEFACTOR.

 RESIDENTES CANADIENSES: ESTE CALEFACTOR DEBE SER OPERADO DE ACUERDO CON LA REGULACIÓN DE LAS AUTORIDADES COMPETENTES Y LA NORMA B139 DE LA CSA.


 RESIDENTES DE EE. UU.: LA INSTALACIÓN DE ESTE CALEFACTOR DEBE SER HECHA DE ACUERDO CON EL REGLAMENTO DE LAS AUTORIDADES COMPETENTES Y LA NFPA 31


 ESTE ES UN CALEFACTOR NO VENTILADO DE COMBUSTIÓN DIRECTA DE GAS DESTINADO A LA CALEFACCIÓN DE EDIFICIOS EN CONSTRUCCIÓN Y A LA CALEFACCIÓN TEMPORAL DE EDIFICIOS TERMINADOS EN TANTO QUE LOS PRODUCTOS COMBUSTIBLES SEAN DESCARGADOS AL AIRE LIBRE.

 PELIGRO: ESTE CALEFACTOR ESTÁ DISEÑADO Y DESTINADO PARA LA CALEFACCIÓN DE EDIFICIOS EN CONSTRUCCIÓN Y LA CALEFACCIÓN PUNTUAL EN TANTO QUE LOS PRODUCTOS COMBUSTIBLES SEAN DESCARGADOS AL AIRE LIBRE.

NO PARA SU USO EN ZONAS HABITADAS.


APTO PARA SU USO AL AIRE LIBRE.


 EL INCUMPLIMIENTO DE LAS PRECAUCIONES E INSTRUCCIONES PROPORCIONADAS CON ESTE CALEFACTOR PUEDEN RESULTAR EN MUERTE, LESIONES CORPORALES GRAVES Y PÉRDIDA O DAÑOS SERIOS A LA PROPIEDAD DEBIDO A LOS PELIGROS DE INCENDIO, EXPLOSIÓN, QUEMADURAS, ASFIXIA, ENVENENAMIENTO POR MONÓXIDO DE CARBONO Y/O DESCARGAS ELÉCTRICAS. SÓLO LAS PERSONAS QUE PUEDAN ENTENDER Y SEGUIR ESTAS INSTRUCCIONES DEBEN USAR U OTORGAR MANTENIMIENTO A ESTE CALEFACTOR. SI NECESITA AYUDA O INFORMACIÓN SOBRE ESTE CALEFACTOR, COMO UN MANUAL DE INSTRUCCIONES, ETIQUETA, ETC. PÓNGASE EN CONTACTO CON EL FABRICANTE.

 PELIGRO DE INCENDIO, QUEMADURA, INHALACIÓN Y EXPLOSIÓN. MANTENGA LOS COMBUSTIBLES SÓLIDOS COMO, POR EJEMPLO, MATERIALES DE CONSTRUCCIÓN, PAPEL Y CARTÓN, A UNA DISTANCIA PRUDENCIAL DEL CALENTADOR SEGÚN LO RECOMIENDAN LAS INSTRUCCIONES. NUNCA USE EL CALENTADOR EN ESPACIOS QUE CONTENGAN O PUEDAN CONTENER COMBUSTIBLES VOLÁTILES O EN SUSPENSIÓN EN EL AIRE NI PRODUCTOS COMO, POR EJEMPLO, GASOLINA, DISOLVENTES, SOLVENTES DE PINTURA, PARTÍCULAS DE POLVO O QUÍMICOS DESCONOCIDOS.

 ADVERTENCIA: NO LO UTILIZE EN EL HOGAR O EN VEHÍCULOS RECREATIVOS.

 NUNCA DEJE DESATENDIDO EL CALENTADOR MIENTRAS ESTE ESTE ENCENDIDO O ESTE CONECTADO A UNA FUENTE DE ALIMENTACION.

 EL CÓDIGO DE FUEGO DE NEW YORK CITY PROHÍBE EL ALMACENAJE, LA DIRECCIÓN Y EL USO DE LOS CALENTADORES APROVISIONADOS DE COMBUSTIBLE KEROSENO PARA LA CALEFACCIÓN DE TALLERES. CUALQUIER PERSONA QUE VIOLA ESA DISPOSICIÓN PUEDE SER CASTIGADA POR UNA MULTA DE HASTA \$10.000 Y UN TÉRMINO DEL ENCARCELAMIENTO HASTA 6 MESES.

 RESIDENTES DE MASSACHUSETTS: LA LEY DEL ESTADO DE MASSACHUSETTS PROHÍBE EL USO DE ESTE CALENTADOR EN CUALQUIER EDIFICIO QUE SE UTILICE TOTAL O PARCIALMENTE PARA LA HABITACIÓN HUMANA. EL USO DE ESTE DISPOSITIVO DE CALEFACCIÓN EN MASSACHUSETTS REQUIERE LA AUTORIZACIÓN DEL DEPARTAMENTO DE BOMBEROS DE LA LOCALIDAD (M.G.L.C. 148, SECCIÓN 10A).

 **GUARDE ESTAS INSTRUCCIONES!** 

ADVERTENCIA

LAS PÁGINAS SIGUIENTES CONTIENEN INSTRUCCIONES DE OPERACIÓN Y MANTENIMIENTO

NO TRATE DE OPERAR ESTA LAVADORA A PRESIÓN HASTA QUE HAYA LEÍDO Y ENTENDIDO TODAS LAS PRECAUCIONES E INSTRUCCIONES DE SEGURIDAD LISTADAS EN ESTE MANUAL.

¡¡ LA OPERACIÓN INCORRECTA DE ESTA UNIDAD PUEDE CAUSAR LESIONES GRAVES !!

¡¡ DE NINGUNA MANERA ALTERE O MODIFIQUE ESTE EQUIPO !!

NUNCA DEJE DESATENDIDO EL CALENTADOR MIENTRAS ESTE ESTE ENCENDIDO O ESTE CONECTADO A UNA FUENTE DE ALIMENTACIÓN.

INFORMACION GENERAL DE SEGURIDAD

ADVERTENCIA RIESGO PARA LA CALIDAD DEL AIRE

- No use este calentador para calentar las habitaciones de seres humanos.
- El uso de calentadores de fuego directo en áreas de construcción puede dar lugar a la exposición a niveles de CO, CO₂ y NO₂ considerados peligrosos para la salud y potencialmente mortales.
- No lo use en zonas no ventiladas
- Conozca los signos del envenenamiento por CO y CO₂: Dolor de cabeza, ardor de ojos Mareo, desorientación Dificultad para respirar, sensación de sofocación
- Debe haber un intercambio adecuado del aire de ventilación (OSHA 29 CFR 1926.57) para mantener la combustión y una calidad de aire aceptable de acuerdo con la norma OSHA 29 CFR Parte 1926.154, los requisitos de seguridad para dispositivos y equipos portátiles de calefacción temporal que se utilizan en la industria de la construcción ANSI A10.10 y los reglamentos de instalación de gas natural y propano CSA B149.1.
- Monitoree periódicamente los niveles de CO, CO₂ y NO₂ existentes en la obra de construcción, como mínimo al inicio del turno y después de 4 horas.
- Suministre un intercambio de aire de ventilación, ya sea natural o mecánico, según sea necesario para mantener una calidad aceptable del aire en el interior.
- Asegúrese de que el flujo de combustión y el intercambio del aire de ventilación no puedan quedar obstruidos.
- Es posible que sea necesario aumentar la ventilación mientras el edificio se “endurece” durante la fase de construcción.

EE.UU. - Promedio de tiempo ponderado de 8 horas (OSHA 29 CFR 1926.55 Ap. A)

CO	50 ppm
CO ₂	5000 ppm
NO ₂	N/A

EE.UU. - Límite superior (límite de exposición a corto plazo = 15 minutos)

CO	N/A
CO ₂	N/A
NO ₂	5 ppm

Canadá - Promedio de tiempo ponderado de 8 horas (Directrices de seguridad laboral BC de la OHS, Parte 5.1, y Reg. 833 para entornos laborales de Ontario)

CO	
CO ₂	
NO ₂	5 ppm

Canadá - Límite de exposición a corto plazo (STEL) (15 minutos Reg 833/1 hora WSBC) Directrices de seguridad laboral BC de la OHS, Parte 5.1, y Reg. 833 para entornos laborales de Ontario

CO	100 ppm
CO ₂	1500 ppm (WSBC) 30000 ppm (Reg 833)
NO ₂	1.0 ppm (WSBC) 5.0 ppm (Reg 833)

⚠ NUNCA DEJE DESATENDIDO EL CALENTADOR MIENTRAS ESTE ESTE ENCENDIDO O ESTE CONECTADO A UNA FUENTE DE ALIMENTACION.

⚠ ADVERTENCIA: NO ALTERE EL CALEFACTOR. PERMITA QUE UN TÉCNICO COMPETENTE HAGA LOS AJUSTES O REPARACIONES NECESARIAS.

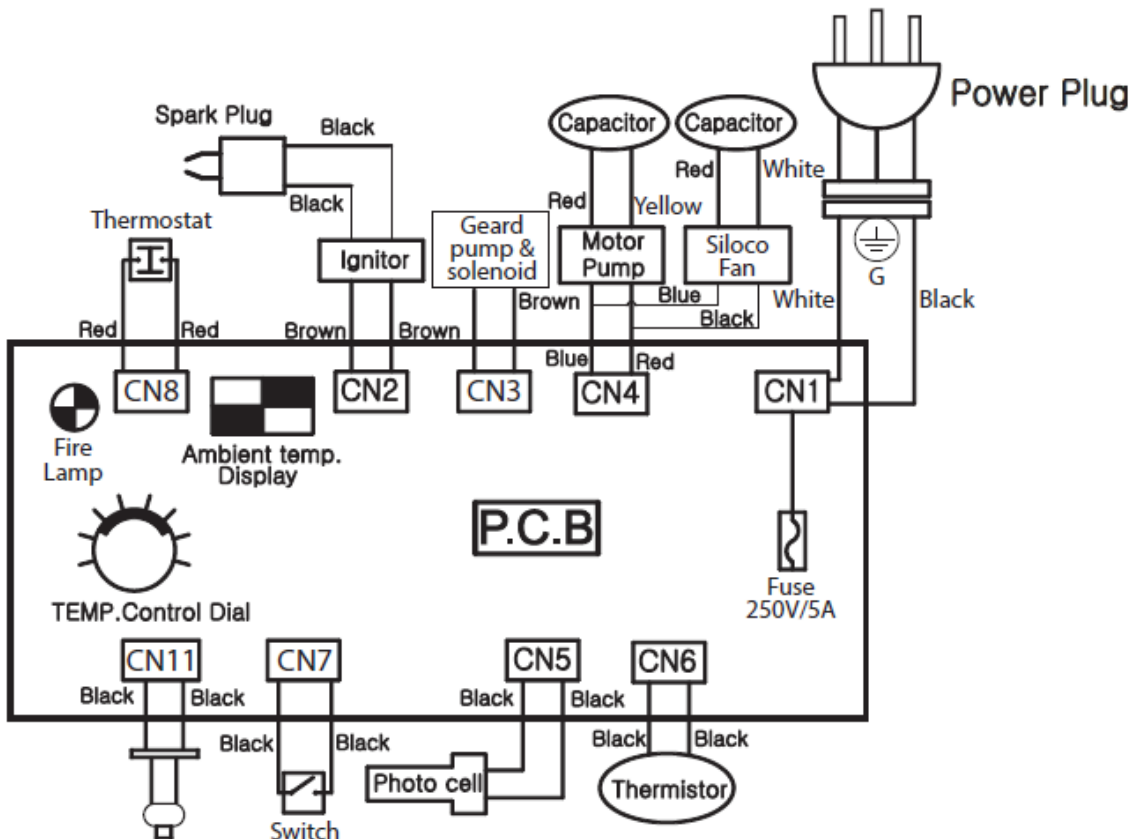
⚠ ADVERTENCIA: NUNCA BLOQUEE LA ENTRADA DE AIRE (TRASERA) O LA SALIDA DE AIRE (DELANTERA) NUNCA COLOQUE CONDUCTOS DELANTE O DETRÁS DEL CALEFACTOR.

ESPECIFICACIONES

Modelo	MH-0400-0M11
Ritmo BTU/Hr	400,000
Consumpcion Gal/Hora	3
Galones de capacidad del tanque de combustible	21
Presion de Bomba PSI	157
Voltaje/Hz	120VAC/ 60 Hz
Amperios	3.3
Fase	Single
Tamano (Longitud x Ancho X altura)	XXXXXXXX
Peso Neto (Libras)	XXXX

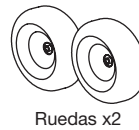
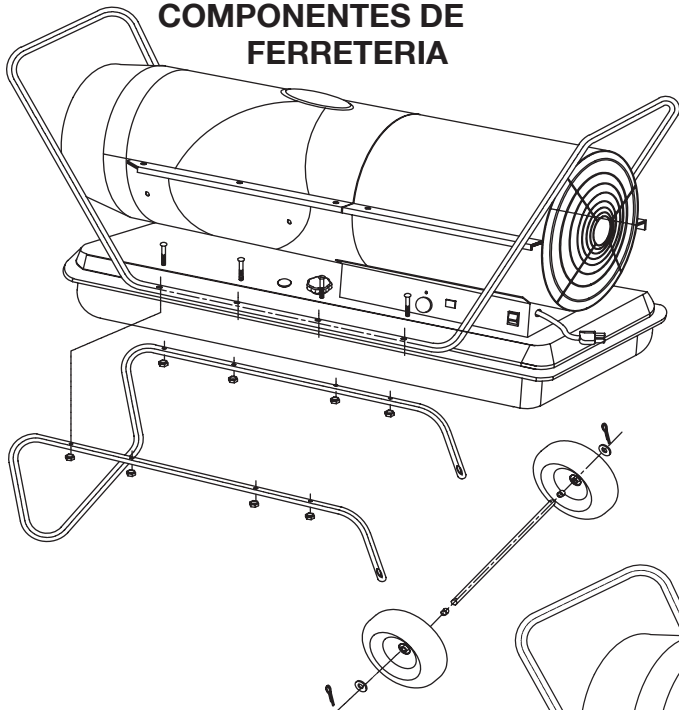
El espacio libre mínimo de Combustibles	
	MH-0400-0M11
Encima	3 pi / 1,0 m
Lados	3 pi / 1,0 m
Enfrente	10 pi / 3,0 m

⚠️ ADVERTENCIA: PARA SU USO EN SUELOS NO COMBUSTIBLES CON UNA SALIDA MÍNIMA A LOS MATERIALES COMBUSTIBLES.

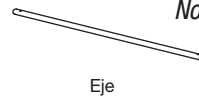


MONTAJE

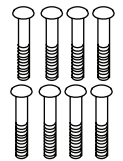
COMPONENTES DE FERRETERIA



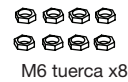
Ruedas x2



Eje



M6 tornillo x8



M6 tuerca x8



Arandela x2



Tapon x2



Pin x2

Nota: Herramientas necesarias: destornillador phillips mediano, llave de boca de 5/16" o llave ajustable.

DESEMBALAJE

1. Retire el calefactor de la caja.
2. Retire todos los materiales de embalaje aplicados al calefactor para su envío.
3. Retire todos los artículos de la caja.
4. Compruebe que el calefactor no se haya dañado durante el envío. Si el calefactor está dañado, póngase en contacto con el servicio de atención al cliente.

PRECAUCION: NO OPERE CALENTADORA SIN REUNIO COMPLETAMENT DEL MARCO DE APOYO A TANQUE.

NUNCA DEJE DESATENDIDO EL CALENTADOR MIENTRAS ESTE ESTE ENCENDIDO O ESTE CONECTADO A UNA FUENTE DE ALIMENTACION.

ENSAMBLAJE DE ARMAZON Y RUEDAS

1. Deslice el eje a través del armazón de apoyo de la rueda. Instale los bujes de rueda, arandelas planas (S) y rueda en el eje. **NOTA:** Al instalar las ruedas, la válvula de cámara debe mirar hacia afuera del armazón de apoyo.
2. Coloque las arandelas planas (L) y clavijas en los extremos del eje y doble las clavijas con alicates de punta fina para asegurarlas.
3. Coloque cubre ruedas en las arandelas planas (L) y coloque cubre ruedas en el extremo de las arandelas planas (L).
4. Coloque el calentador en el armazón de apoyo de la rueda. Asegúrese de que el extremo de entrada de aire (parte trasera) del calentador esté sobre las ruedas. Alinee los orificios en la brida del tanque de combustible. Inserte los tornillos a través de los mangos (delantero y trasero), brida del tanque de combustible, y el armazón de apoyo de la rueda como se muestra a continuación y aprete la tuerca con los dedos después de insertar cada tornillo.
5. Después de insertar todos los tornillos, apriete las tuercas firmemente.

OPERACION

ABASTECIMIENTO DEL CALEFACTOR

Asegúrese de que el calefactor esté nivelado. Retire el tapón de combustible y llene el tanque de combustible con kerosene limpio para un rendimiento óptimo de este calefactor. Este calefactor ha sido probado y certificado para su uso con aceite para combustible JP8/Jet A, #1 y #2, y diésel #1 y #2. El combustible diésel no quema tan limpiamente como el kerosene 1-K, y se debe tener cuidado de proporcionar más ventilación de aire fresco para acomodar cualquier contaminante adicional que se pueda producir durante el funcionamiento del calefactor. En temperaturas extremadamente frías, se recomienda añadir al tanque de combustible un estabilizador de combustible formulado para eliminar la condensación y evitar que el combustible se gelifique. No llene en exceso el tanque de combustible. Vuelva a colocar el tapón de combustible después de llenar el tanque de combustible.

⚠ ADVERTENCIA: NO PONGA EN MARCHA EL CALEFACTOR CUANDO ESTÉ CALIENTE.

-NO ENCIENDA EL CALEFACTOR CUANDO SE HAYA ACUMULADO UN EXCESO DE COMBUSTIBLE EN LA CÁMARA.

- NO LO UTILICE CON UN TANQUE DE COMBUSTIBLE EXTERNO.

- NUNCA LLENE EL TANQUE DE COMBUSTIBLE EN UN ESPACIO DESTINADO A LA VIVIENDA.

- NO UTILICE GASOLINA O DRENAJE DE CÁRTER, NAFTA O COMBUSTIBLES VOLÁTILES.

- SIEMPRE LLENE EL TANQUE DE COMBUSTIBLE AL AIRE LIBRE, LEJOS DE ZONAS HABITADAS.

NOTA: El queroseno sólo debe ser almacenado en un contenedor azul que es marcado claramente "queroseno". Nunca almacene queroseno en un contenedor rojo. Rojo es asociado con gasolina.

- Nunca almacene queroseno en el espacio vital. El queroseno debe ser almacenado en un área bien ventilada fuera del área viva.
- NUNCA almacene queroseno en la luz directa del sol ni cerca de una fuente de calor.
- Nunca uso queroseno que ha sido almacenado de una temporada al luego. El queroseno empeora con el tiempo. El QUEROSENO VIEJO NO QUEMARA APROPIADAMENTE EN ESTA CALENTADORA.
- Utilice queroseno de #1-K en esta calentadora. #1, #2 (gasóleo), JP-8, o combustible en Jet(A) son substitutos convenientes.

⚠ NUNCA DEJE DESATENDIDO EL CALENTADOR MIENTRAS ESTE ESTE ENCENDIDO O ESTE CONECTADO A UNA FUENTE DE ALIMENTACION.

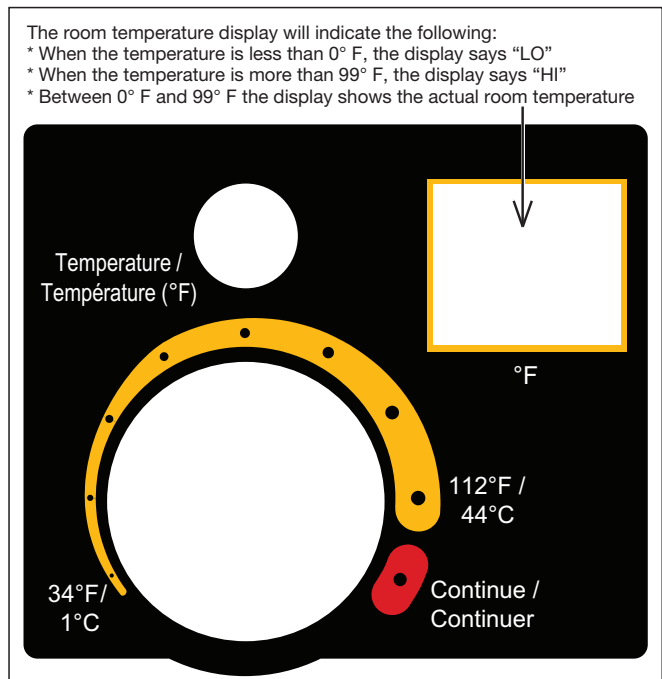
Nota: La primera vez que encienda el calentador, debe ser EXTERIOR. Esto permite que los aceites y otros lubricantes utilizados en el proceso de fabricación que se quemará fuera.

CONEXION A UNA FUENTE DE ALIMENTACION

Después de llenar el tanque de combustible con combustible aprobado, conecte el enchufe a un cable de extensión de 3 puntas con conexión a tierra, con la capacidad adecuada para esta aplicación.

Requisitos De Tamaño Del Cable De Alargue:

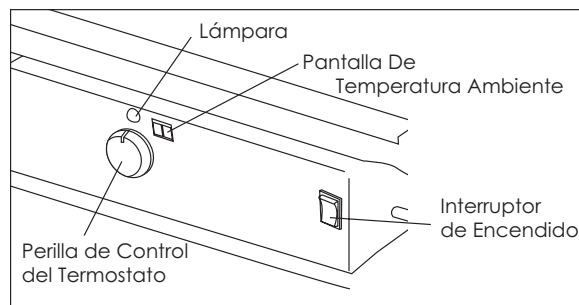
- De 6 a 10 pies (1,8 a 3 metros) de largo, use un conductor de 18 AWG.
- De 11 a 100 pies (3,4 a 30,53 metros) de largo, use un conductor de 16 AWG.
- De 101 a 200 pies (30,8 a 61 metros) de largo, use un conductor de 14 AWG.



OPERACION

AJUSTE DEL TERMOSTATO

1. Gire la perilla de control del termostato en el sentido de las agujas del reloj hasta el nivel de calor deseado. Empuje el interruptor de encendido a la posición "ON" (encendido). La lámpara indicadora de encendido se prenderá y el calefactor se pondrá en marcha.
2. Si el calefactor no se pone en marcha, es posible que el ajuste de temperatura del termostato sea inferior a la temperatura ambiente.
3. Gire la perilla de control del termostato y ajuste el mismo a una temperatura mayor.
4. Si el calefactor sigue sin arrancar, gire el interruptor de encendido a la posición "OFF" (apagado). Espere 10 segundos. Gire el interruptor de encendido nuevamente a la posición "ON" (encendido).



NOTA: Los principales componentes eléctricos de este calefactor están protegidos por un fusible de seguridad montado en la placa de circuito impreso situada detrás del panel lateral derecho. Si su calefactor no arranca, compruebe primero este fusible y sustitúyalo si es necesario. También debe comprobar su fuente de alimentación para asegurarse de que el voltaje y la frecuencia son los adecuados para el calefactor.

APAGAR EL CALENTADOR

1. Presione el botón de encendido a la posición "OFF".
2. Espere a que el calefactor se enfríe, y luego desenchufe el calefactor de su fuente de alimentación.

REINICIO DEL CALEFACTOR

1. Espere 10 segundos después de apagar el calefactor.
2. Mueva el Interruptor de Encendido a la posición "ON".
3. Si el calefactor no se pone en marcha, es posible que el ajuste del termostato sea inferior a la temperatura ambiente. Gire la perilla de control del termostato y ajuste el mismo a una temperatura mayor. Si el calefactor sigue sin arrancar, gire el interruptor de encendido a la posición "OFF" (apagado). Espere 10 segundos. Gire el interruptor de encendido nuevamente a la posición "ON" (encendido).

REINICIO DEL CALEFACTOR DESPUES DEL APAGADO DE SEGURIDAD

1. Presione el botón de encendido a la posición "OFF".
2. Desconecte el calefactor de su fuente de alimentación.
3. Espere 10 segundos para que el sistema se reinicie.
4. Enchufe el calefactor a su fuente de alimentación.
5. Presione el botón de encendido a la posición "ON".



NUNCA DEJE DESATENDIDO EL CALENTADOR MIENTRAS ESTE ESTE ENCENDIDO O ESTE CONECTADO A UNA FUENTE DE ALIMENTACION.

MANTENIMIENTO

 **ADVERTENCIA: NO ALTERE EL CALEFACTOR. PERMITA QUE UN TÉCNICO COMPETENTE HAGA LOS AJUSTES O REPARACIONES NECESARIAS.**

 **ADVERTENCIA: DESCONECTE EL CALEFACTOR DE SU FUENTE DE ALIMENTACIÓN ANTES DE REALIZAR CUALQUIER MANTENIMIENTO.**

 **ADVERTENCIA: LA UNIDAD ESTA CALIENTE MIENTRAS SE ENCUENTRA EN FUNCIONAMIENTO. NO LA TOQUE. PERMITA QUE EL CALEFACTOR SE ENFRÍE ANTES DE REPARARLO.**

 **NUNCA DEJE DESATENDIDO EL CALENTADOR MIENTRAS ESTE ENCENDIDO O ESTE CONECTADO A UNA FUENTE DE ALIMENTACION.**

ANTES DE OPERAR ESTE CALEFACTOR

Inspecciónelo visualmente para comprobar que no haya daños. Algunas partes pueden haberse aflojado o haberse dañado en la manipulación del mismo. Asegúrese de que la tapa del combustible esté bien ajustada y compruebe que el tapón de drenaje (si corresponde a su modelo) esté instalado correctamente. Reemplace o repare cualquier pieza dañada antes de operar este calefactor. UTILICE PIEZAS DE REPUESTO ORIGINALES. El uso de componentes de terceros u otros componentes alternativos anulará la garantía y puede causar condiciones inseguras de funcionamiento. Si necesita piezas de repuesto o requiere asistencia, comuníquese con el servicio de atención al cliente.

SUGERENCIA DE MANTENIMIENTO:

COMBUSTIBLE/TANQUE DE COMBUSTIBLE

Enjuague cada 200 horas de operación o según sea necesario. No use agua para enjuagar el tanque. Use gasolina fresca o querosene y séquelo.

FILTROS

El filtro de combustible y el filtro de aceite deben limpiarse al menos dos veces por temporada de calefacción enjuagándolos con gasolina limpia o querosene. El combustible contaminado podría hacer que esto sea necesario inmediatamente.

 **WARNING! NEVER SERVICE HEATER WHILE HOT OR STILL CONNECTED TO ELECTRICAL SOURCE.**

ASPAS DE VENTILADOR

Las aspas del ventilador deben limpiarse al menos una vez por temporada de calefacción, dependiendo de las condiciones. Retire todo el polvo y la suciedad acumuladas con un paño húmedo, teniendo cuidado de no doblar ninguna de las aspas del ventilador. Asegúrese de que las aspas del ventilador estén secas antes de volver a encender el calentador.

BOMBA DE ENGRANAJE

Limpie el filtro en la bomba cada 200 horas o en cualquier momento que sea necesario. Puede ajustar la presión de la bomba con una llave inglesa, sin embargo, la presión viene establecida de la fábrica y no la ajuste como quiera. Si desea ajustar la presión, por favor instale el manómetro de presión de aceite y configúrelo para mantener la presión entre 7-12 kgf/cm.

BOQUILLAS

Las boquillas deben limpiarse o reemplazarse al menos una vez por temporada de calefacción. Combustible contaminado podría hacer que esto sea necesario inmediatamente. Para limpiar la suciedad de la boquilla, sople aire comprimido a través de la parte delantera de la boquilla. Puede ser necesario remojar la boquilla en querosene 1-K limpio para ayudar a aflojar cualquier partícula.

BUJÍA

Limpie y vuelva a abrir cada 600 horas de operación, o reemplácela según sea necesario. Después de quitar la bujía, limpie los terminales con un cepillo de alambre. Vuelva a abrir los terminales a 0.140" (3,5 mm).

CÉLULA FOTOELÉCTRICA

La célula fotoeléctrica o fotocélula debe limpiarse al menos una vez por temporada de calefacción, o más

MANTENIMIENTO

dependiendo de las condiciones. Use un bastón de algodón sumergido en agua o alcohol para limpiar la lente de la célula fotoeléctrica. Tenga en cuenta la posición adecuada de la célula fotoeléctrica como se indica en este manual.

ALMACENAMIENTO PROLONGADO

1. Desenrosque la tapa de combustible.
2. Usando un sifón de querosene, retire el querosene.
3. Usando una pequeña cantidad de querosene, enjuague y agite el querosene dentro del tanque de combustible. Vacíe el tanque por completo. **NUNCA MEZCLE AGUA CON QUEROSENE**, ya que causará óxido dentro del tanque.
4. Vacíe el tanque por completo.

Nunca almacene querosene sobrante durante el verano. El uso de combustible viejo puede dañar su calentador.

Almacene el calentador en un área seca y bien ventilada.

Asegúrese de que el área de almacenamiento esté libre de polvo y vapores corrosivos. Reembale el calentador en el material de envío original. Guarde el manual de propietario en un lugar de fácil acceso.



GARANTIA LIMITADA

Garantía limitada de protemp. Por un año, Mi-T-M le garantiza al Usuario original que los modelos tratados en este manual de los calentadores de aceite portátiles Protemp® están libres de defectos en la mano de obra o el material, cuando se les somete a uso Normal, por un año a partir de la fecha de compra. Cualquier parte que se halle defectuosa, ya sea en el material o en la mano de obra, y sea devuelta (con los costos de envío pagados por Adelantado) a un centro de servicio autorizado designado por Mi-T-M, será reparada o reemplazada (no Existe otra posibilidad) según lo determine Mi-T-M. Para obtener información sobre los procedimientos de reclamo cubiertos en la garantía limitada, vea la sección "atención oportuna" que aparece más adelante. Esta garantía limitada confiere al comprador derechos legales específicos que varían de jurisdicción a jurisdicción.

Limites de responsabilidad. En la medida en que las leyes aplicables lo permitan, la responsabilidad de Mi-T-M por los daños emergentes o incidentales está expresamente excluida. La responsabilidad de Mi-T-M expresamente está limitada y no puede exceder el precio de compra pagado por el artículo. Exclusión de responsabilidad de la garantía. Se han hecho esfuerzos diligentes para proporcionar información e ilustraciones apropiadas sobre el producto en este manual; sin embargo, esta información y las ilustraciones tienen como único propósito la identificación del producto y no EXPRESAN NI IMPLICAN GARANTIA DE QUE LOS PRODUCTOS SEAN VENDIBLES O ADECUADOS PARA UN PROPOSITO EN PARTICULAR NI QUE SE AJUSTAN NECESARIAMENTE A LAS ILUSTRACIONES O DESCRIPCIONES. CON EXCEPCION DE LO QUE SE ESTABLECE A CONTINUACION, Mi-T-M NO HACE NI AUTORIZA NINGUNA GARANTIA O AFIRMACION DE HECHO, EXPRESA O IMPLICITA, QUE NO SEA ESTIPULADA EN LA "GARANTIA LIMITADA" ANTERIOR. Consejo Técnico y Recomendaciones, Exclusiones de Responsabilidad. A pesar de las prácticas, negociaciones o usos comerciales realizados previamente, las ventas no deberán incluir el suministro de consejo técnico o asistencia o diseño del sistema. Mi-T-M no asume ninguna obligación o responsabilidad por recomendaciones, opiniones o consejos no autorizados sobre la elección, instalación o uso de los productos. Adaptación del Producto. Muchas jurisdicciones tienen códigos o regulaciones que rigen la venta, la construcción, la instalación y/o el uso de productos para ciertos propósitos que pueden variar con respecto a los aplicables a las zonas vecinas. Si bien se trata de que los productos Mi-T-M cumplan con dichos códigos, no se puede garantizar su conformidad y no se puede hacer responsable por la forma en que se instale o use su producto. Antes de comprar y usar el producto, revise su aplicación y todos los códigos y regulaciones nacionales y locales aplicables y asegúrese de que el producto, la instalación y el uso los cumplan. Ciertos aspectos de limitación de responsabilidad no se aplican a productos al consumidor; es decir (a) algunas jurisdicciones no permiten la exclusión ni limitación de daños incidentales o consecuentes, de modo que las limitaciones o exclusiones anteriores quizás no apliquen en su caso; (b) asimismo, algunas jurisdicciones no permiten limitar el plazo de una garantía implícita, por lo tanto, la limitación anterior quizás no aplique en su caso; y (c) por ley, mientras la Garantía Limitada esté vigente no podrán excluirse ni limitarse en modo alguno ninguna garantía implícita de comercialización o de idoneidad para un propósito en particular aplicables a los productos al consumidor adquiridos por éste. Atención Oportuna. Se hará un esfuerzo de buena fe para corregir puntualmente, o hacer otros ajustes, con respecto a cualquier producto que resulte defectuoso dentro de los términos de esta garantía limitada. En el caso de que encuentre un producto defectuoso y que esté cubierto dentro de los límites de esta garantía haga el favor de escribir primero, o llame, al distribuidor a quien le compró el producto. El distribuidor le dará las instrucciones adicionales. Si no puede resolver el problema en forma satisfactoria, escriba a Mi-T-M a la dirección a continuación, dando el nombre del distribuidor, su dirección, la fecha y el número de la factura del distribuidor y describa la naturaleza del defecto. La propiedad del artículo y el riesgo de pérdida pasan al comprador en el momento de la entrega del artículo a la compañía de transporte. Si el producto se daña durante el transporte, debe presentar su reclamo a la compañía transportista.

**For Service or Warranty Consideration, contact
Mi-T-M® Corporation, 50 Mi-T-M Drive, Peosta, IA 52068
563-556-7484 / 800-553-9053 / Fax 563-556-1235
Monday - Friday 8:00 a.m. - 5:00 p.m. CST**

